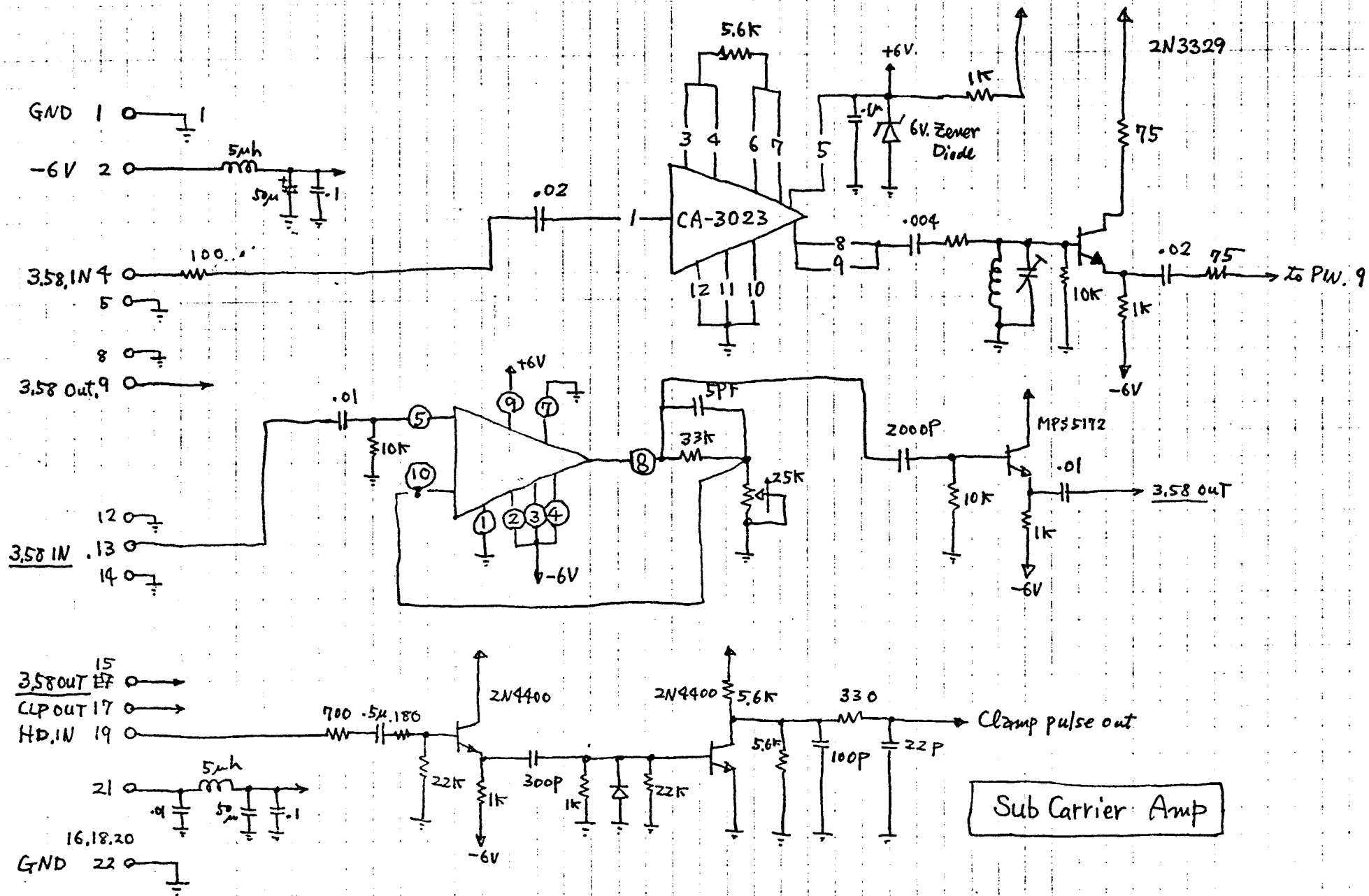
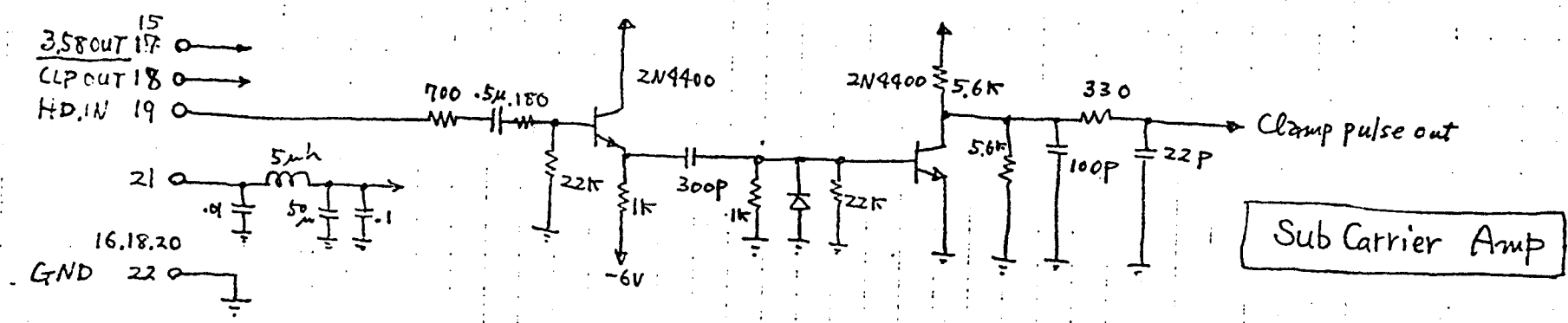
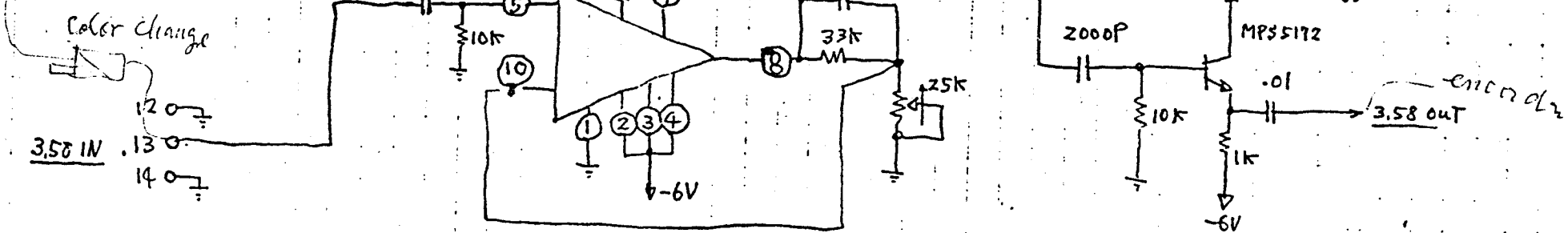
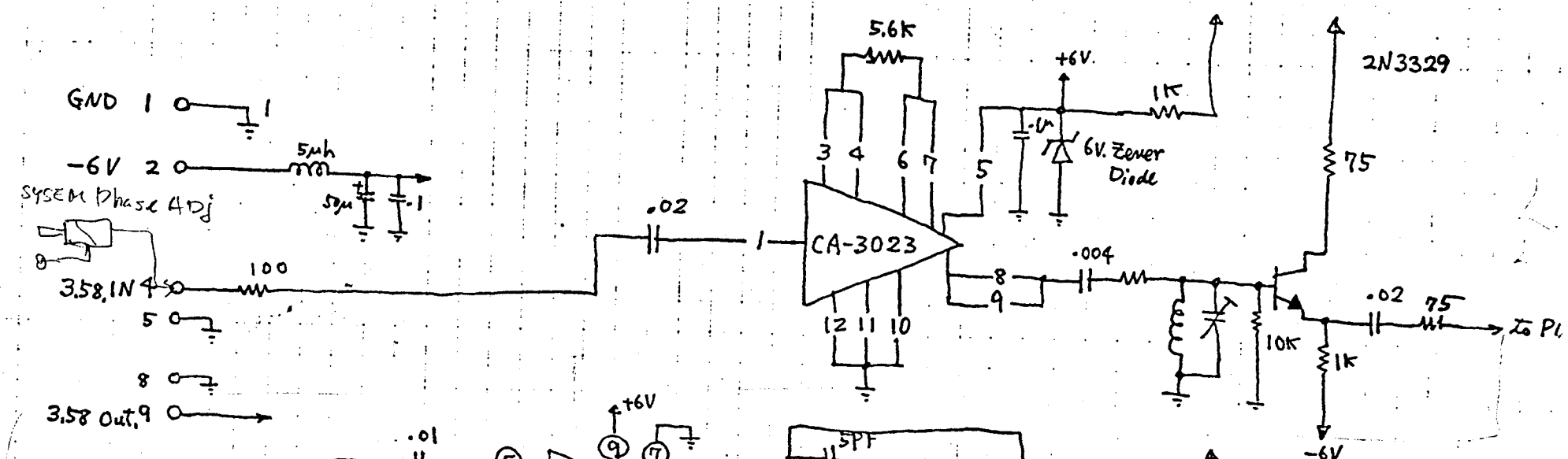
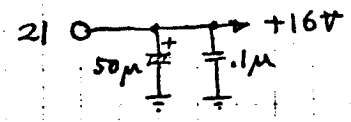
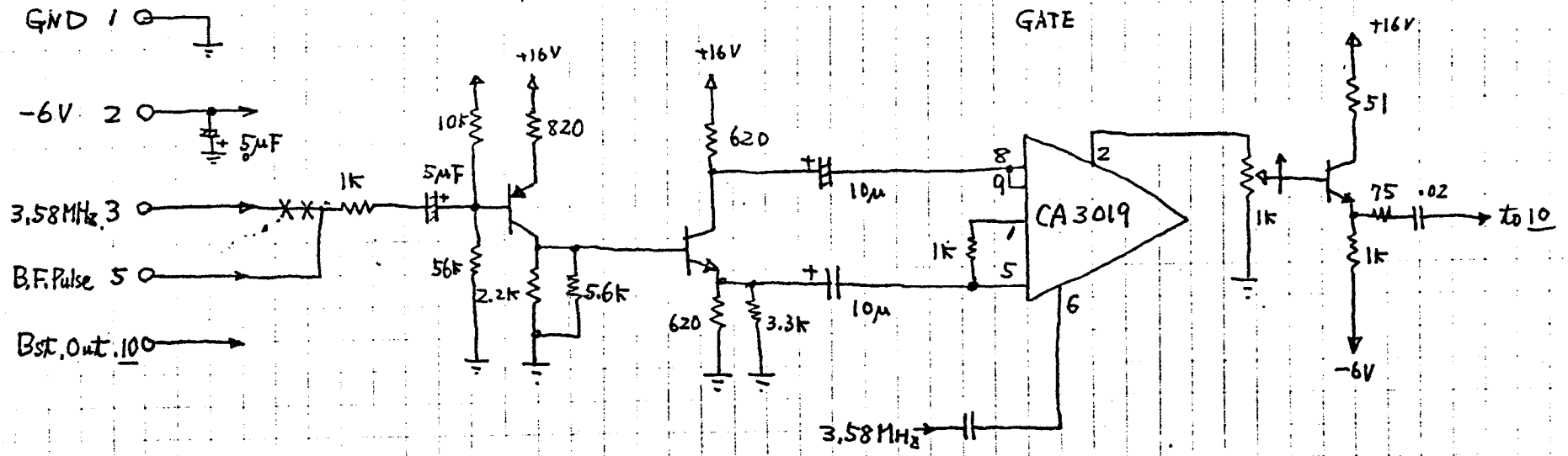


Power Supply

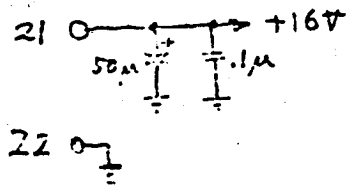
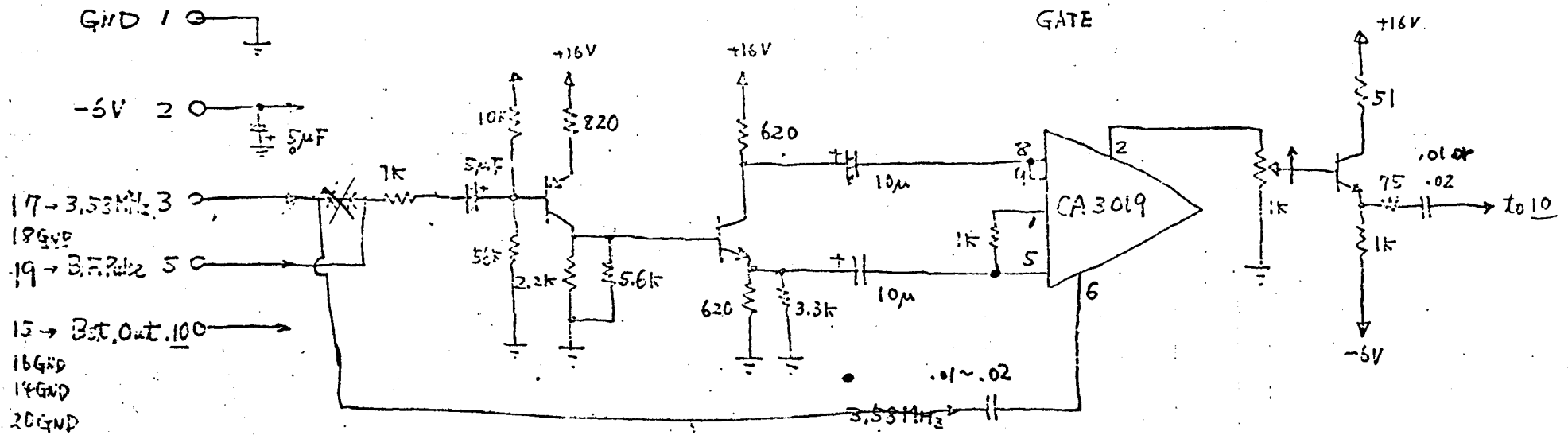


Sub Carrier Amp

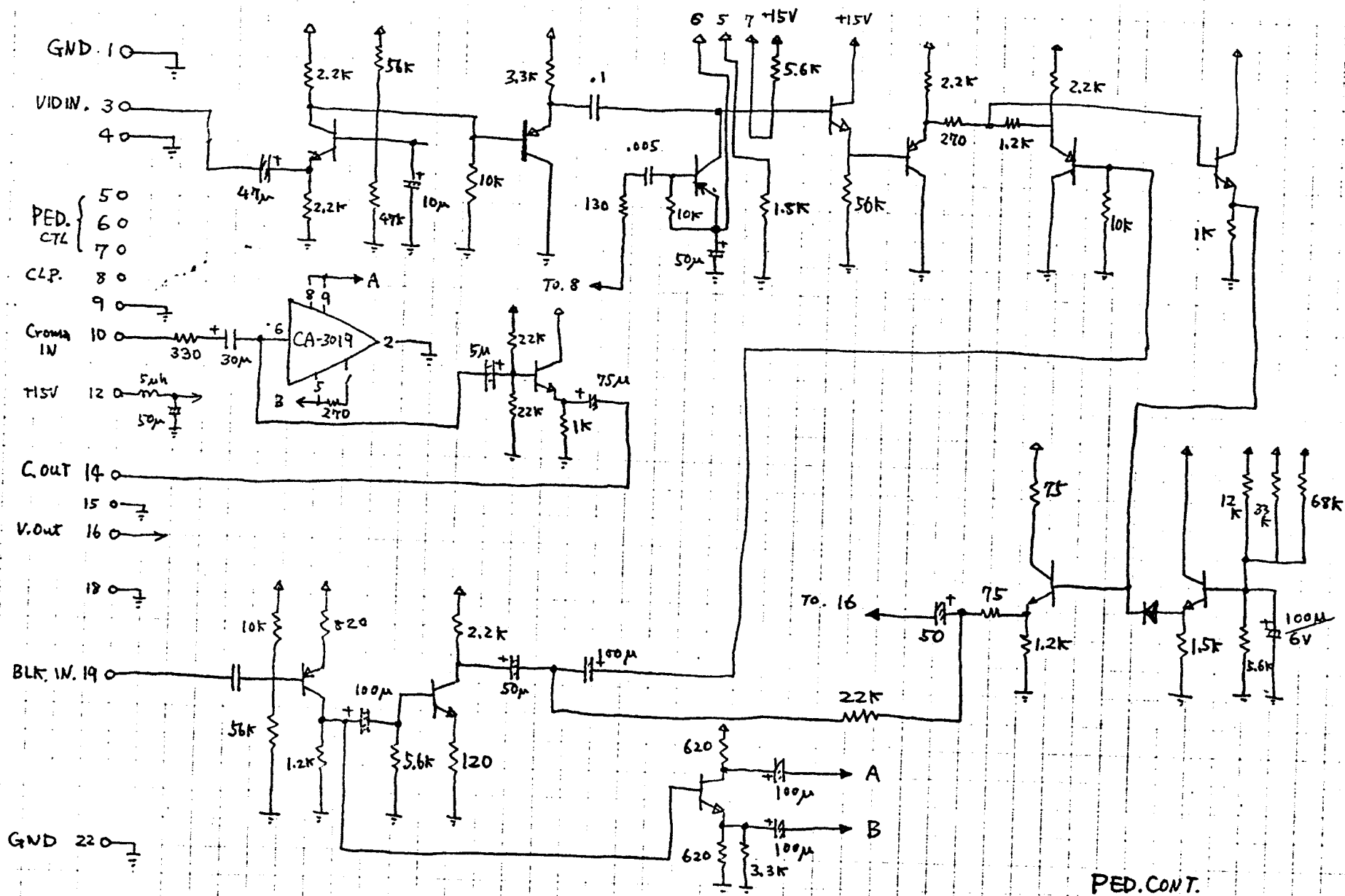




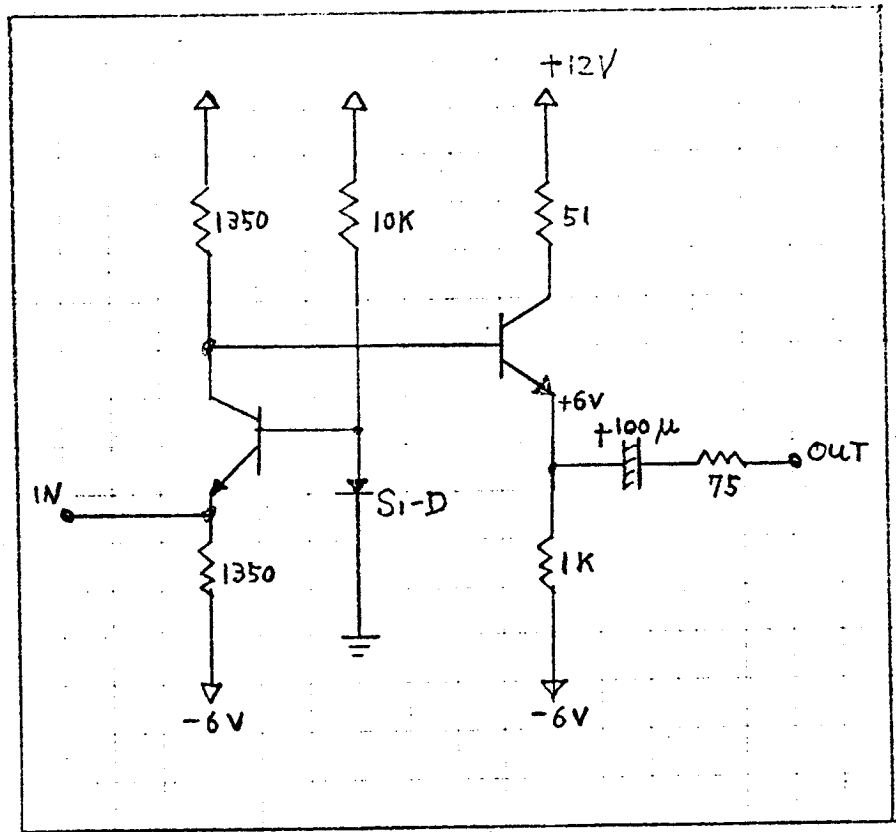
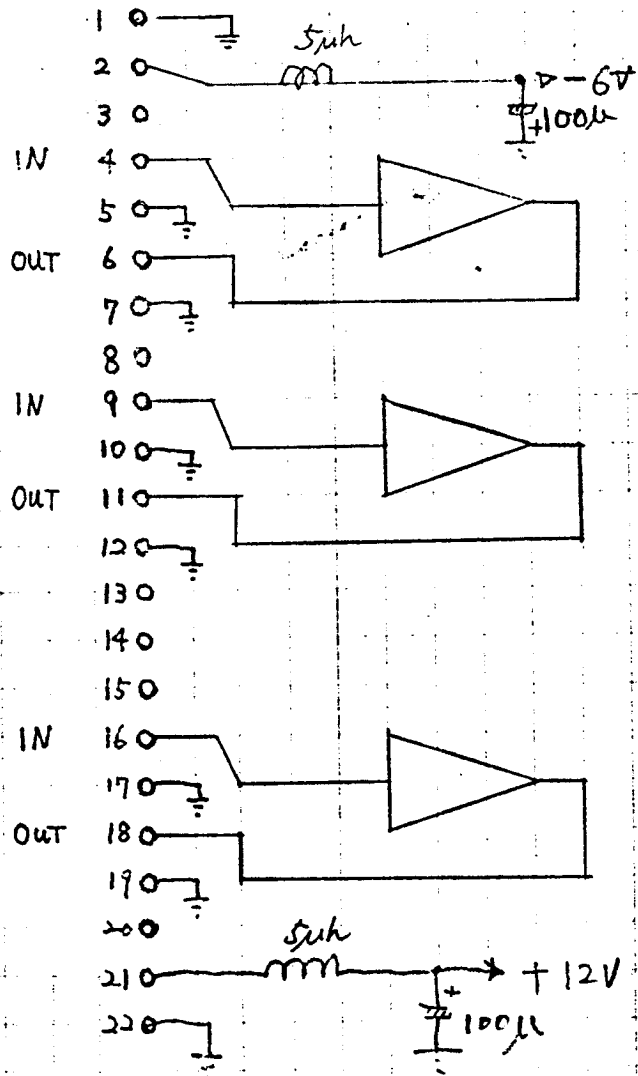
Burst Generator



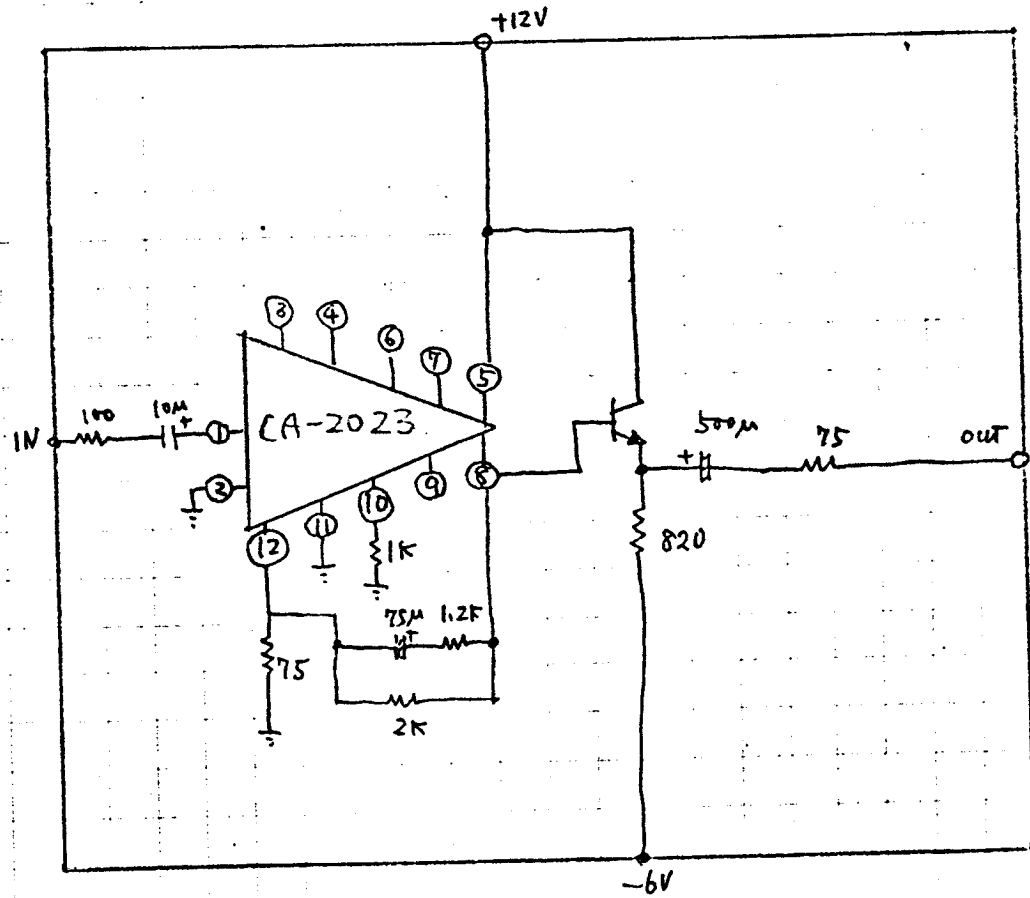
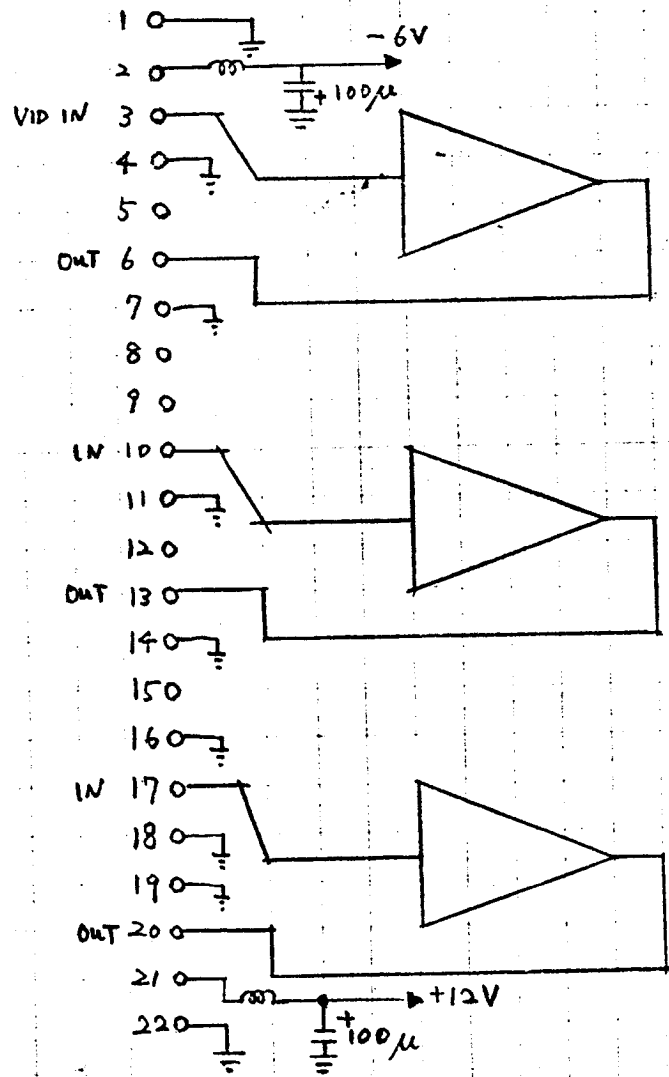
Burst Generator



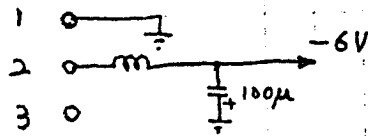
PED. CONT.



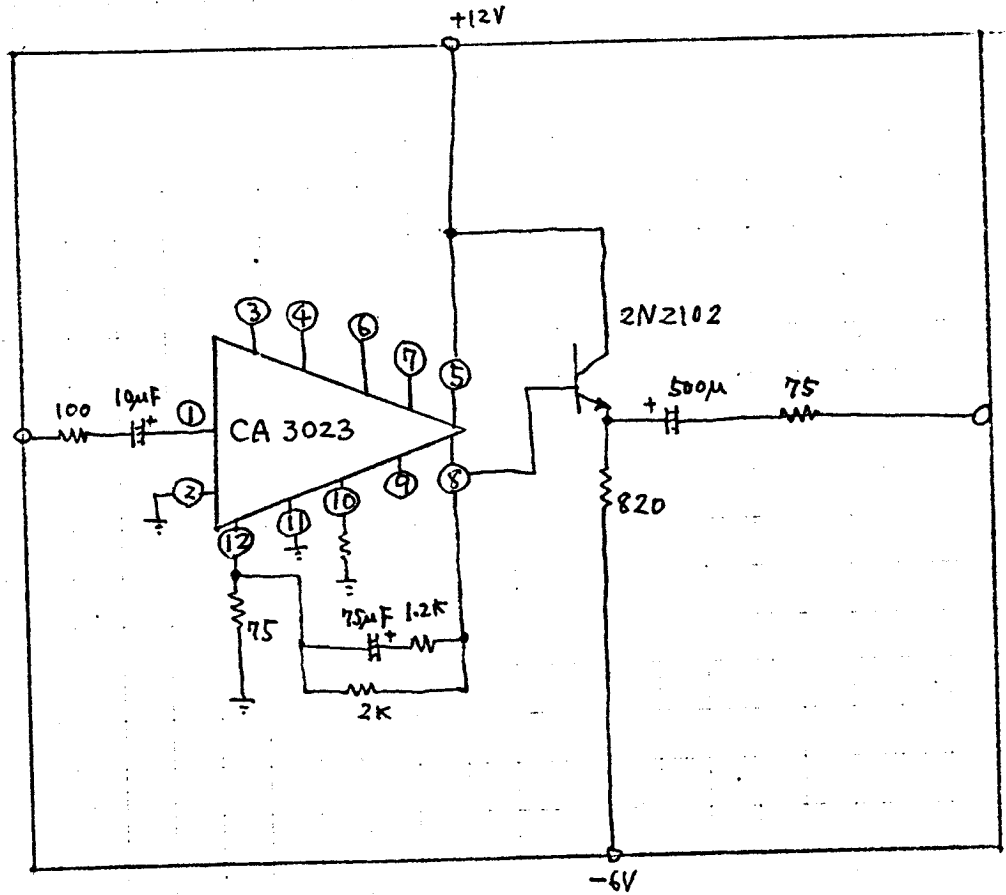
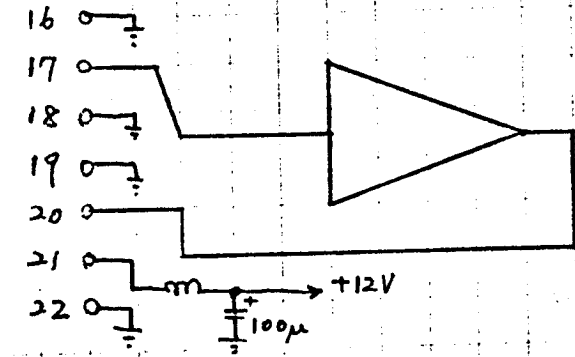
Mixing Amp



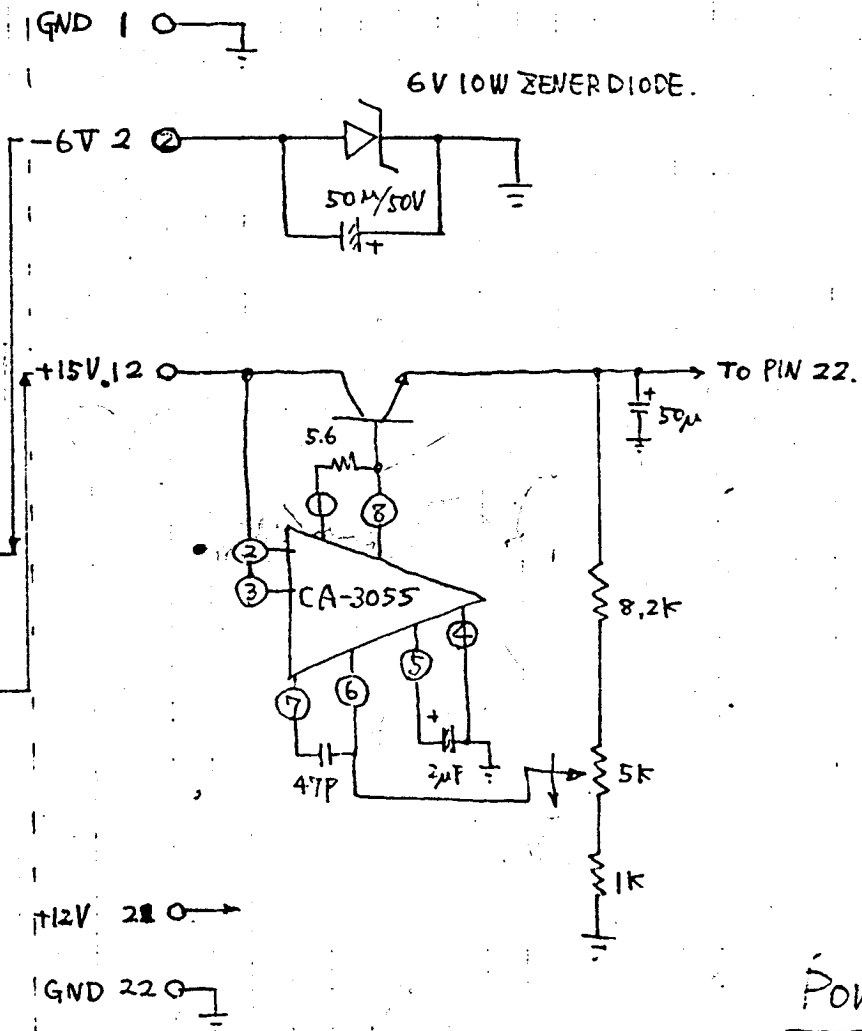
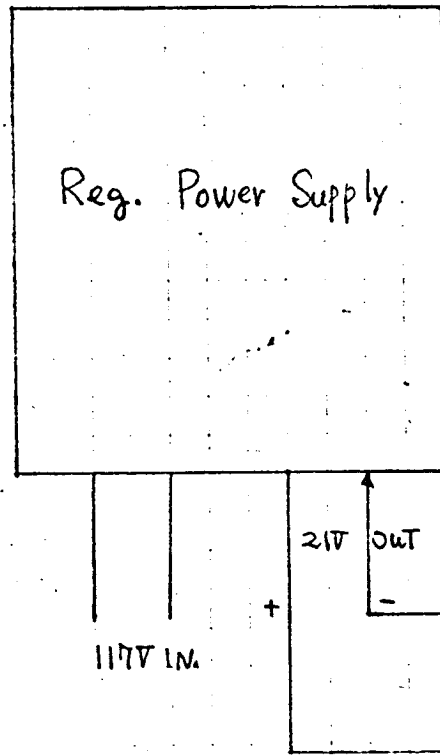
Amp.



- 3 0
- 4 0
- 5 0
- 6 0
- 7 0
- 8 0
- 9 0
- 10 0
- 11 0
- 12 0
- 13 0
- 14 0
- 15 0



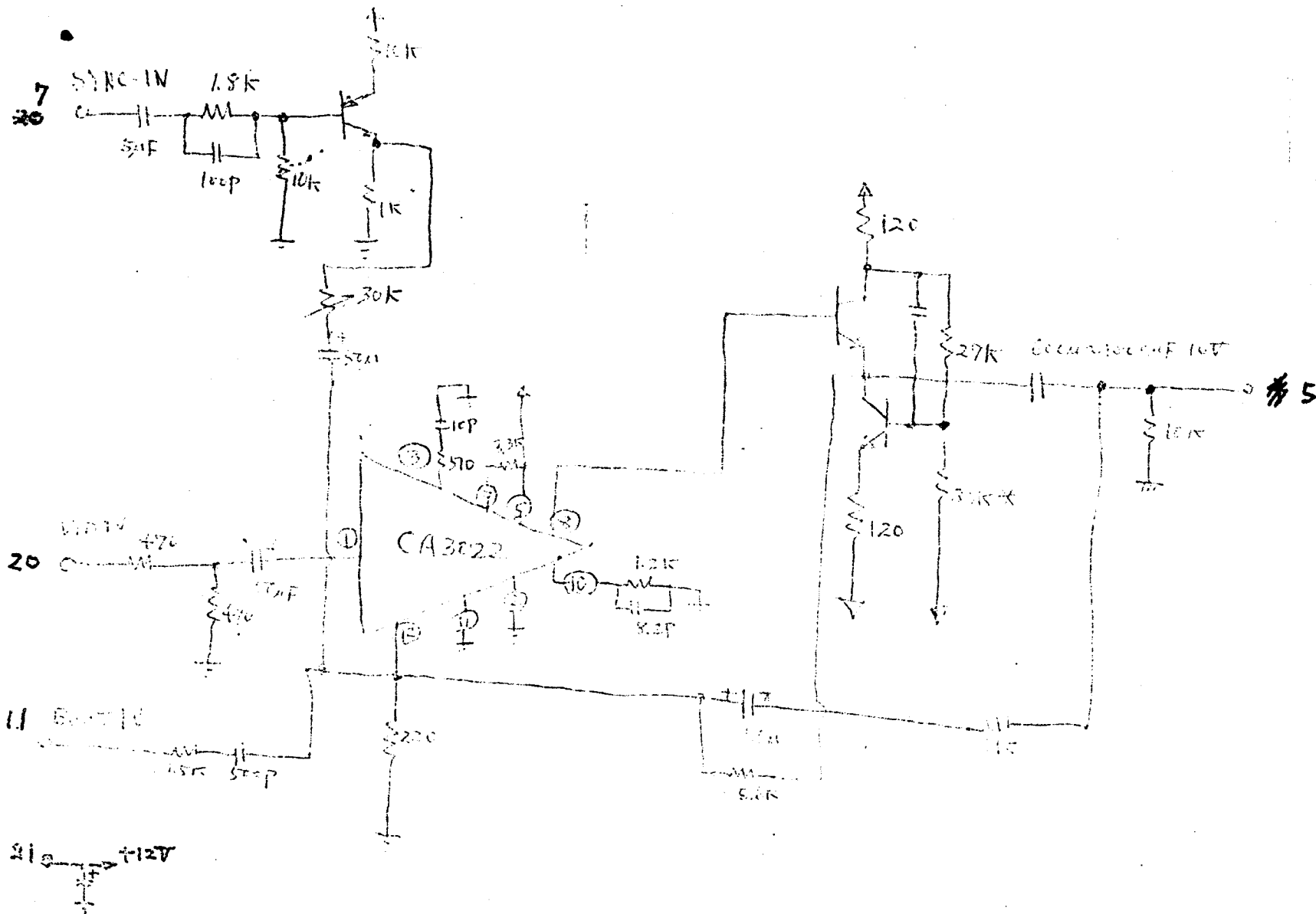
Amp.



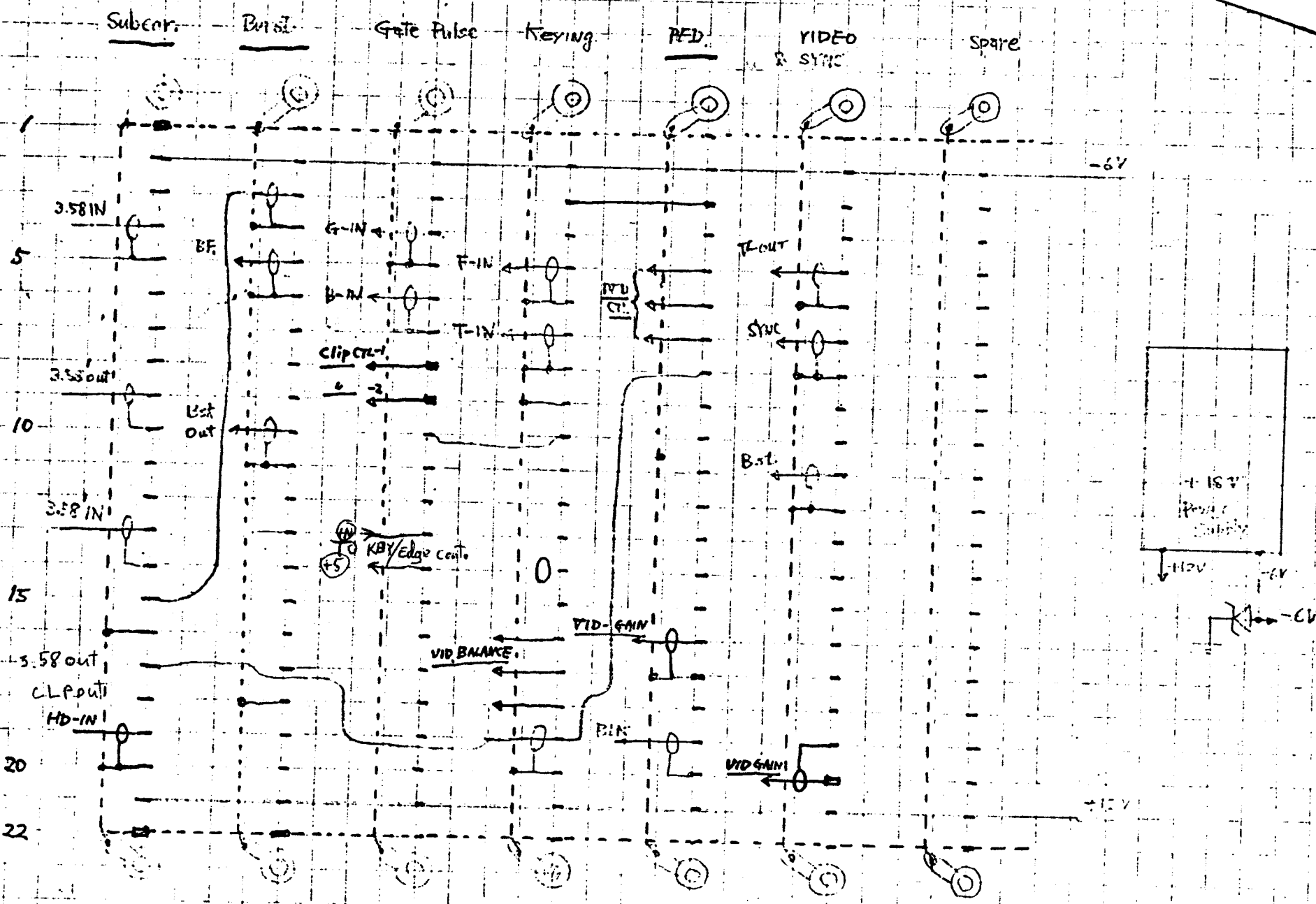
Power Supply

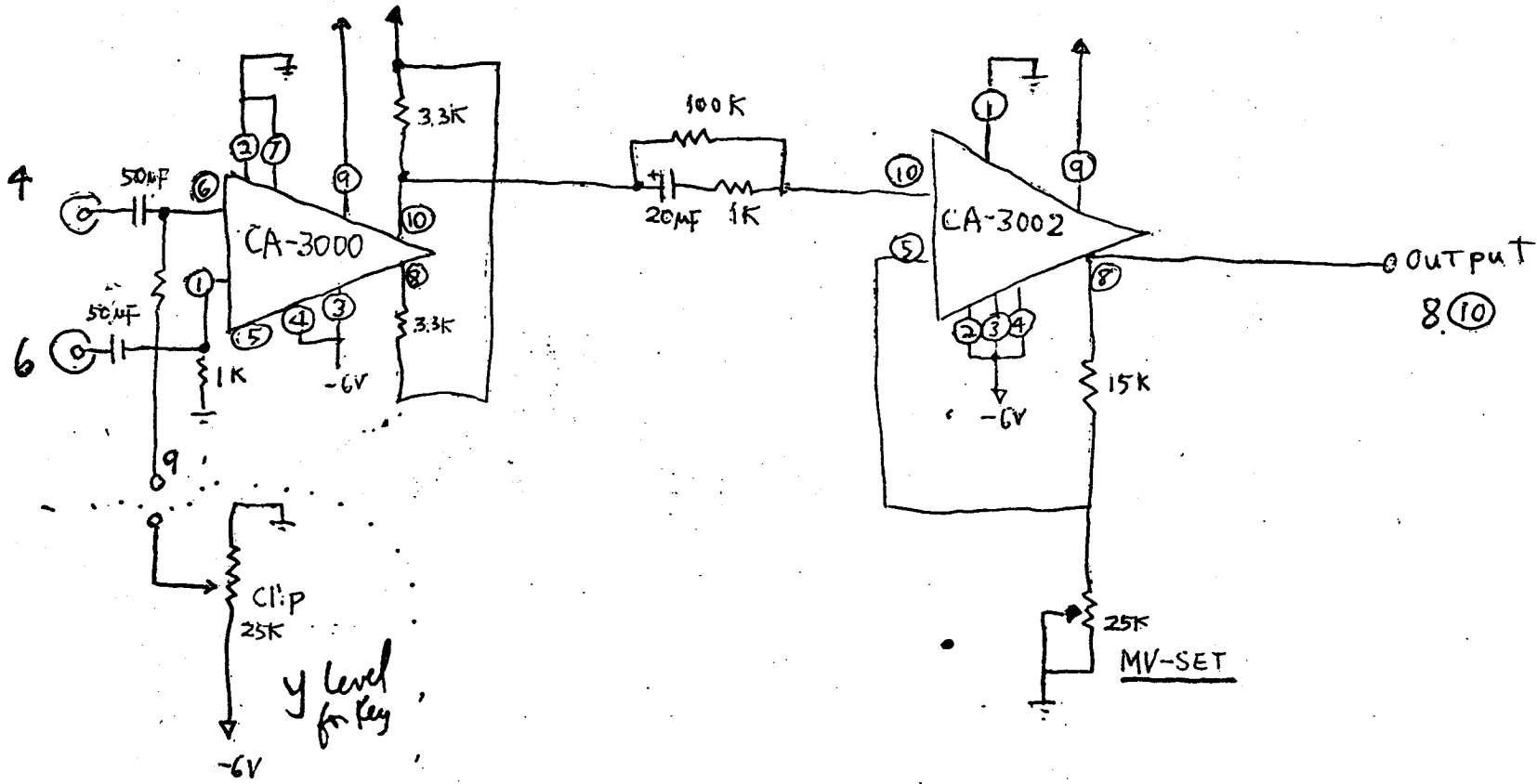
0 1

VIDEO Out AMP for CROMA KEY



220



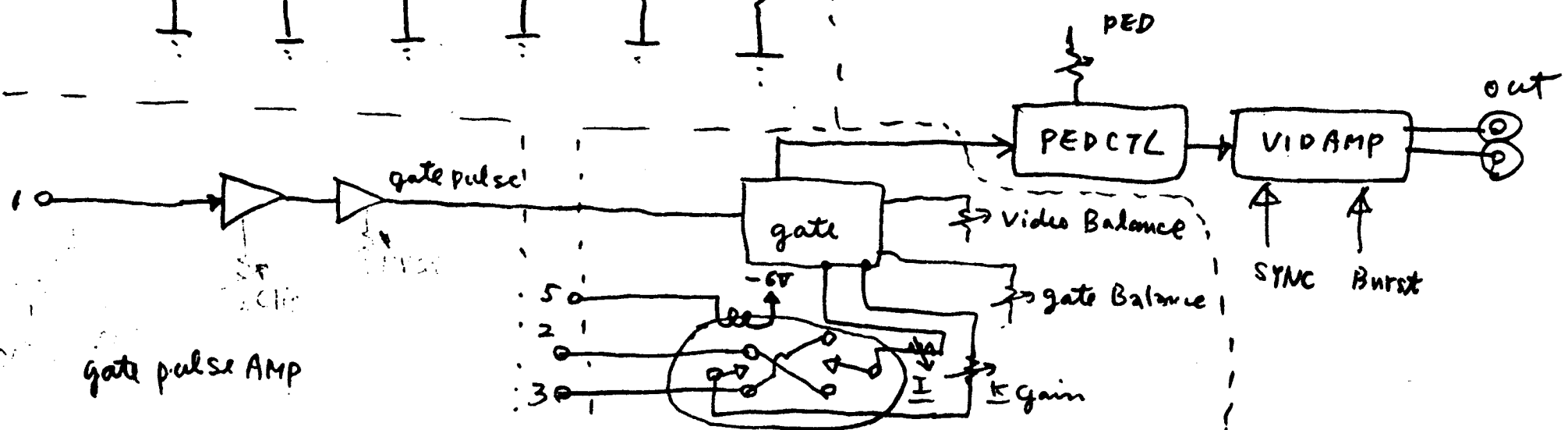
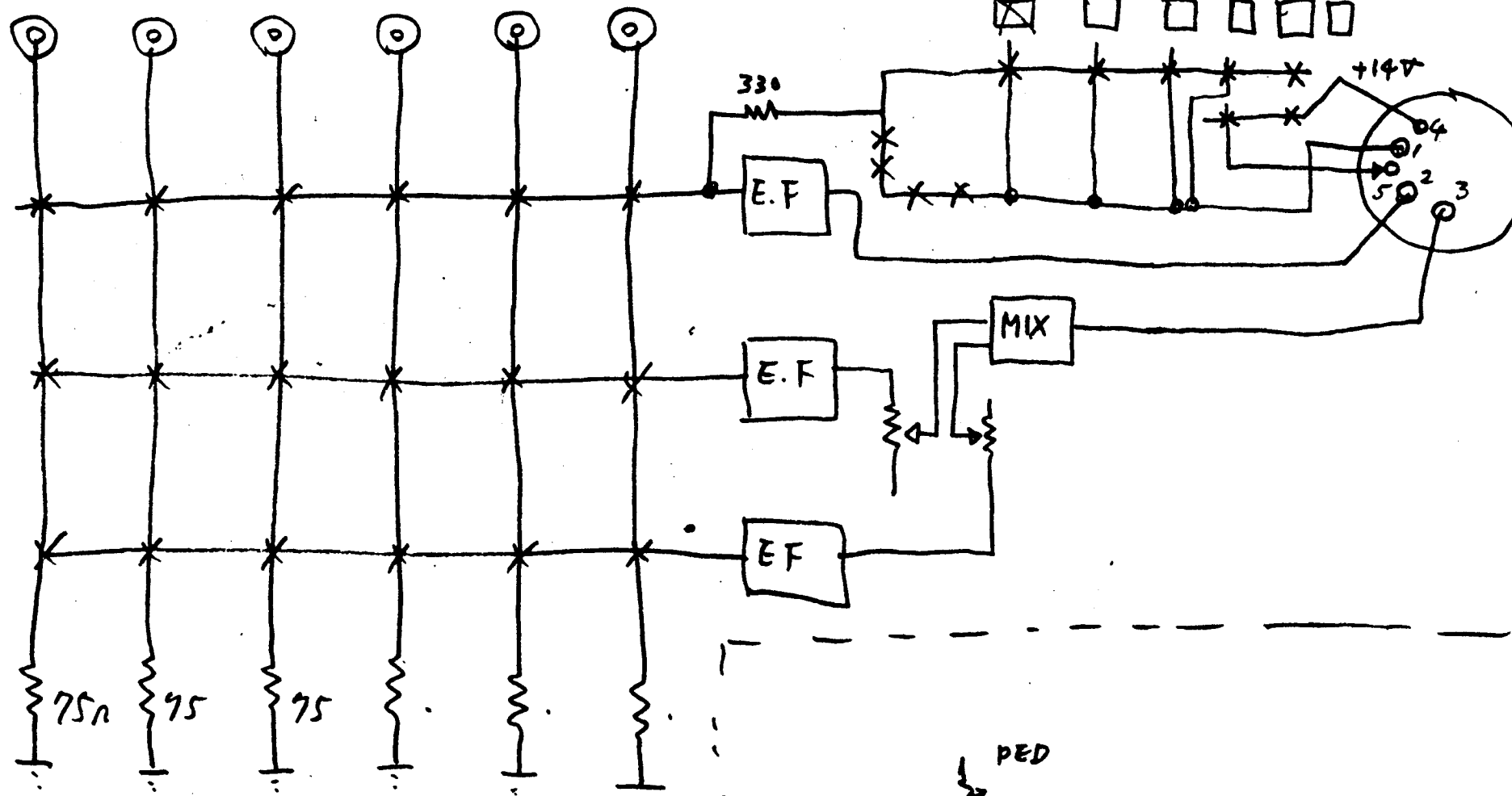


GATE Pulse Amp

CRC PULSE

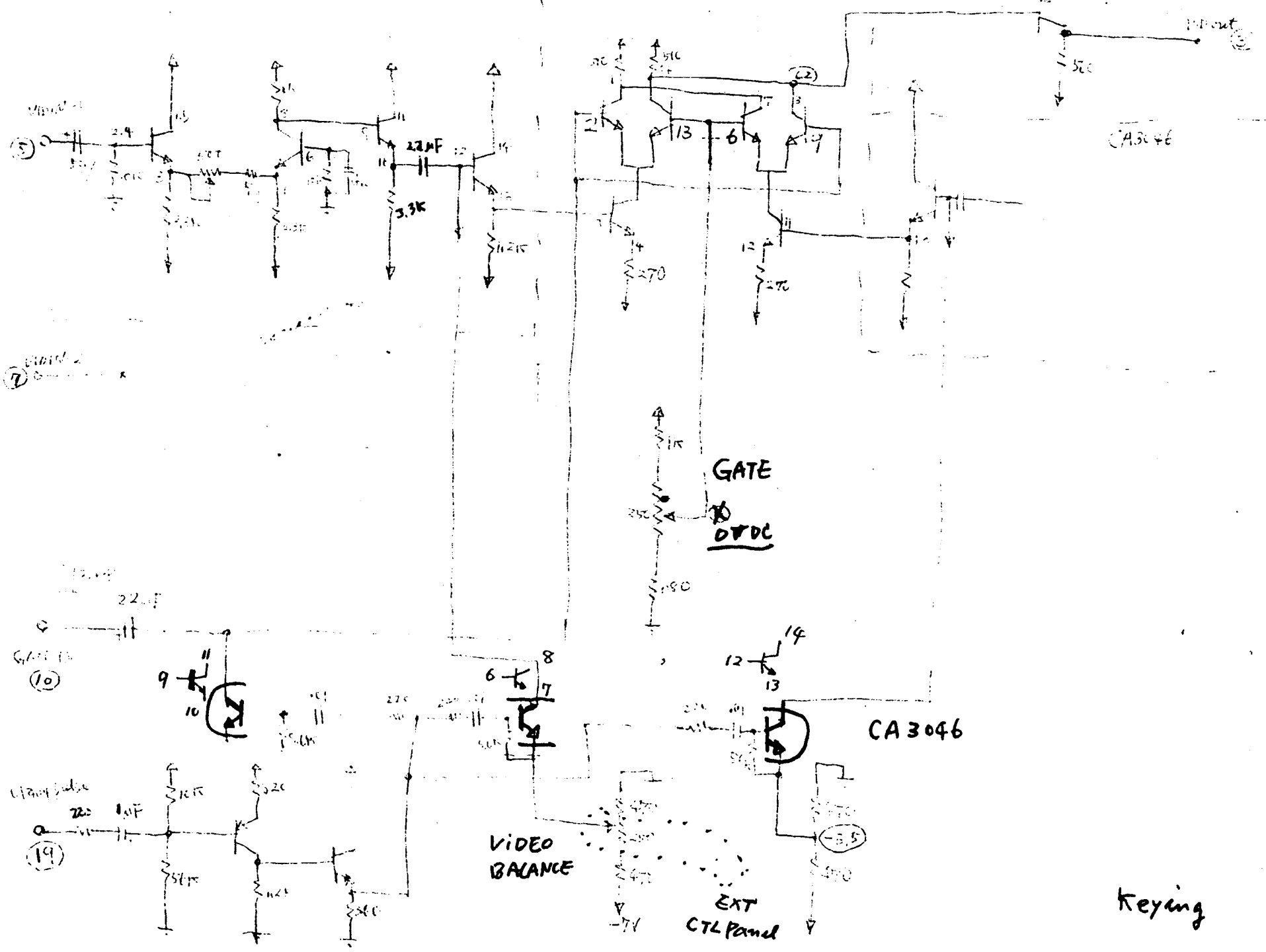
KEYer Switch board

input



CA-3046

CA-3046



CA3046

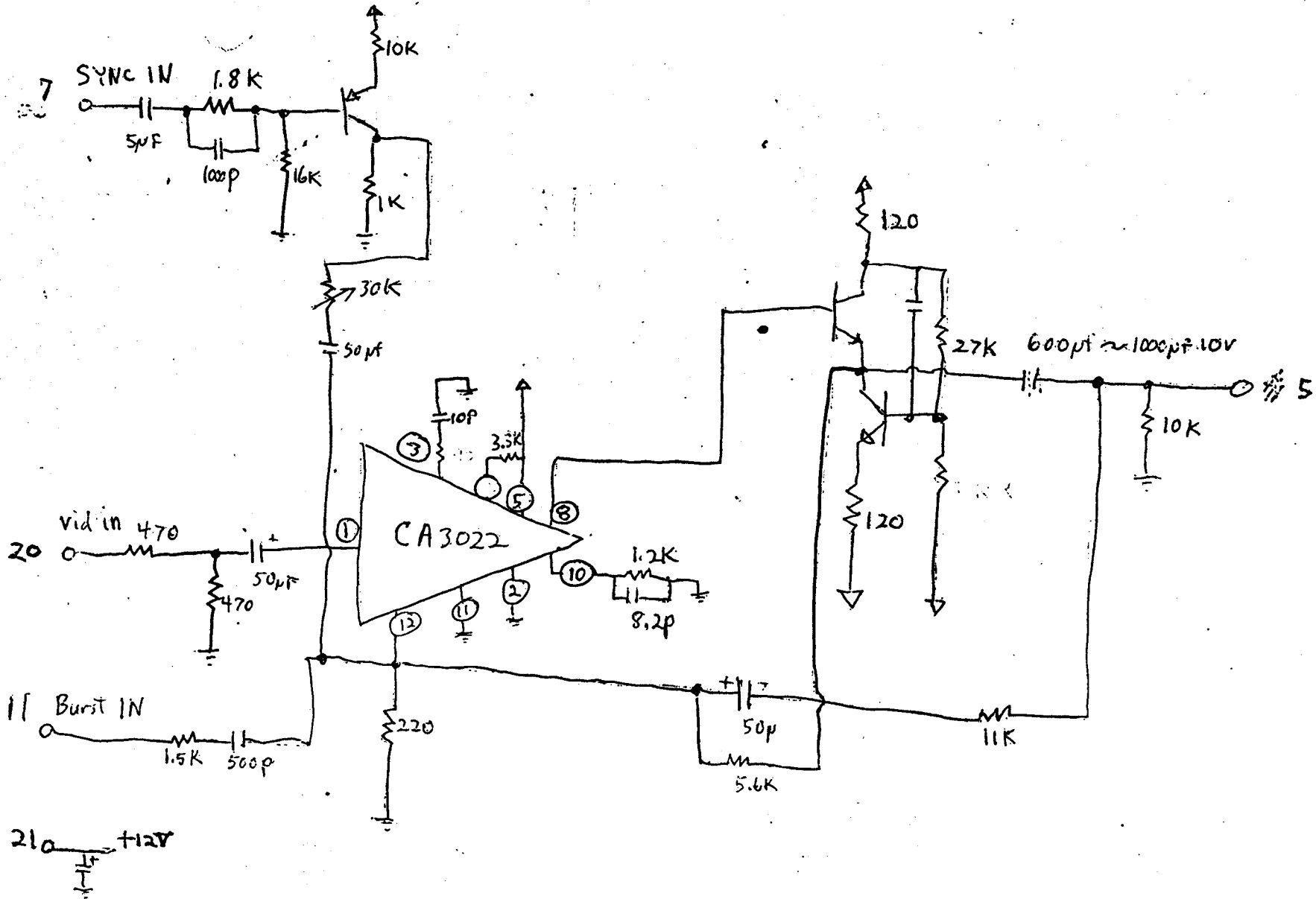
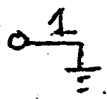
GATE
DTDC

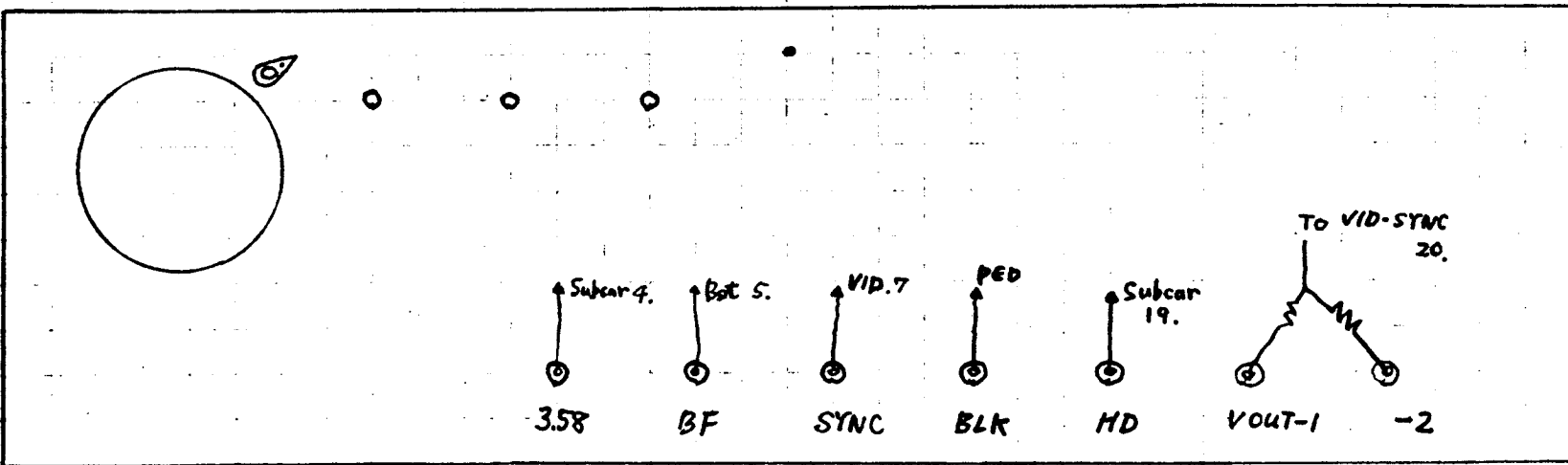
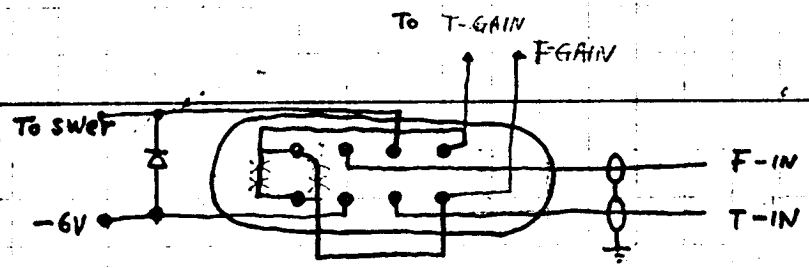
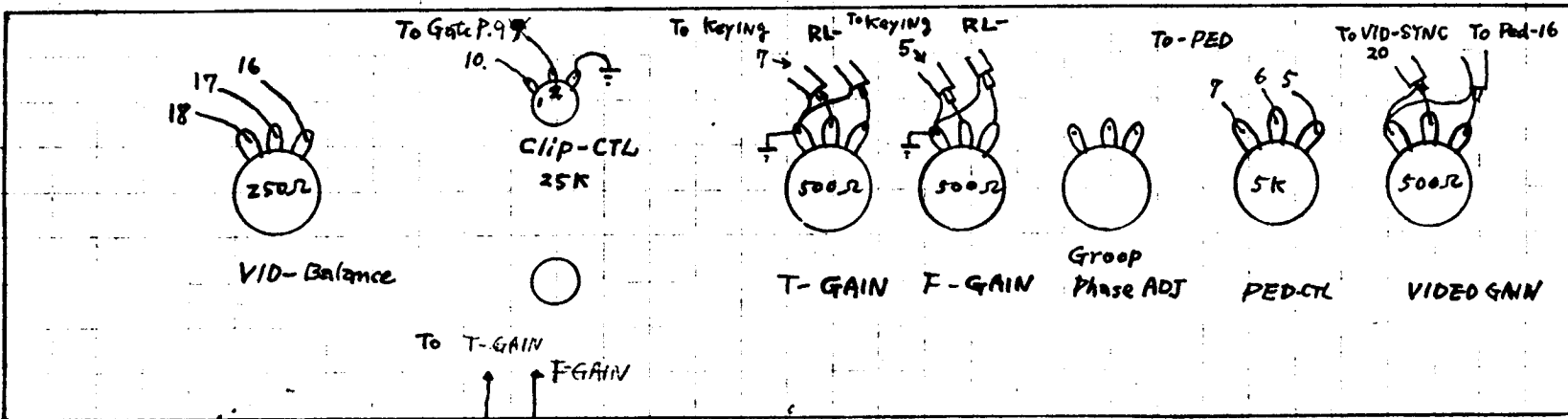
CA3046

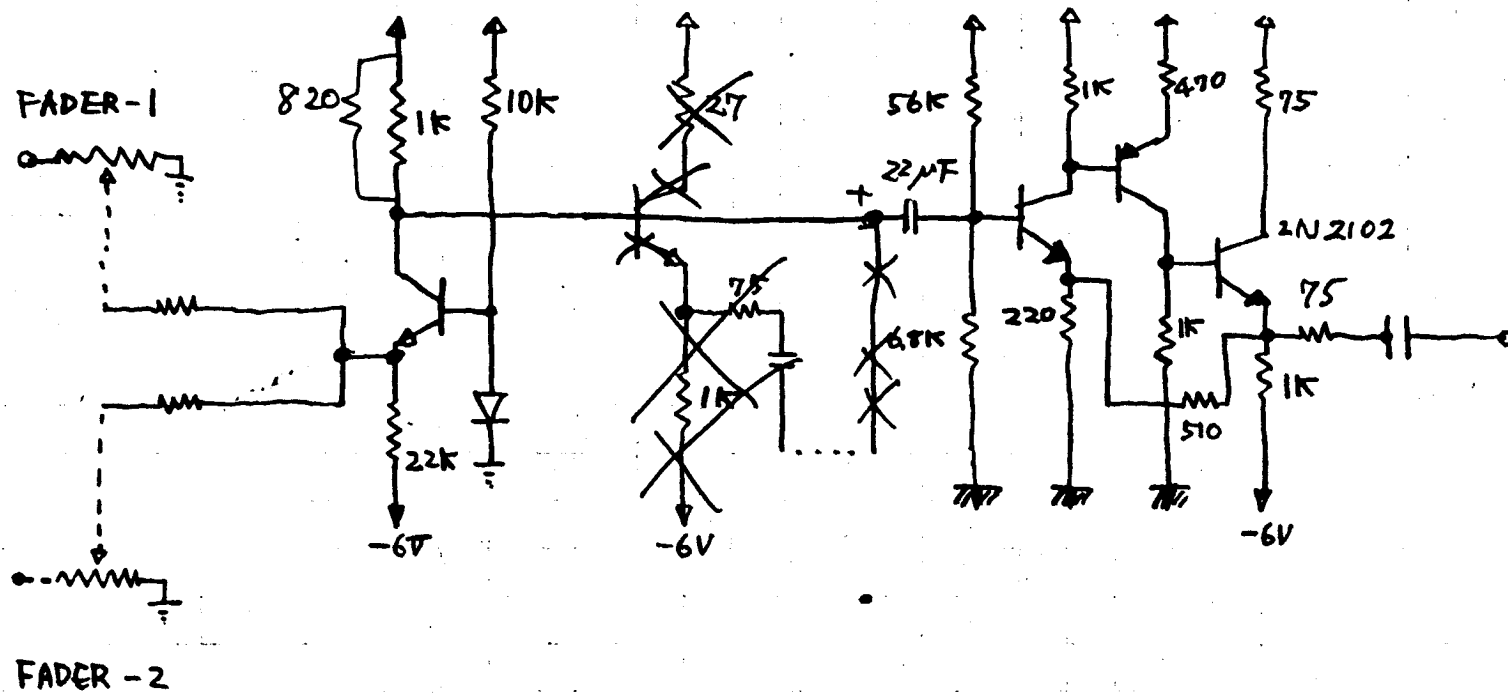
VIDEO
BALANCE

EXT
CTL Panel

Keying

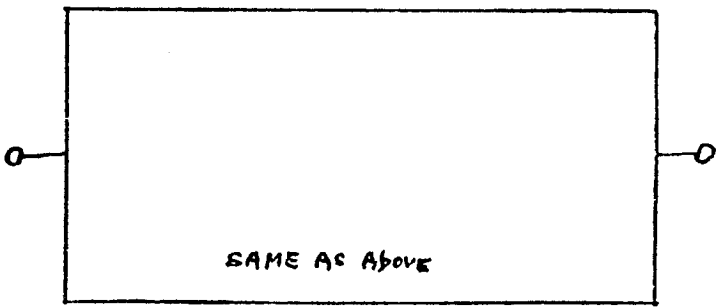
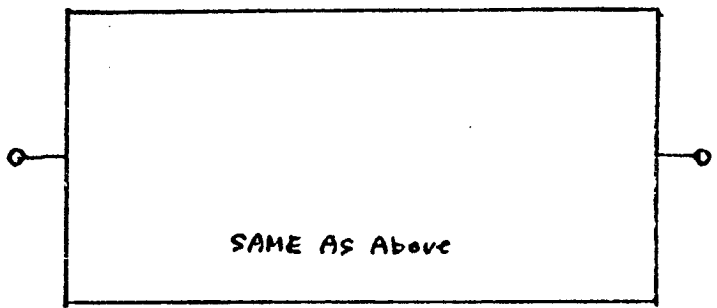
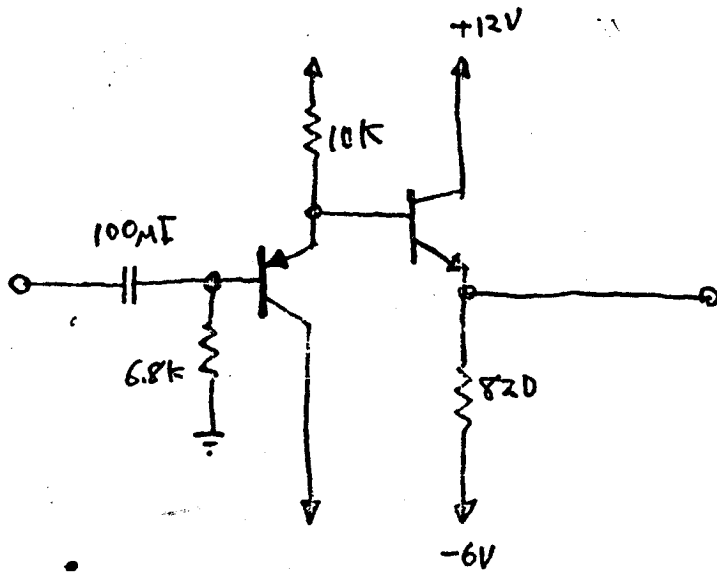






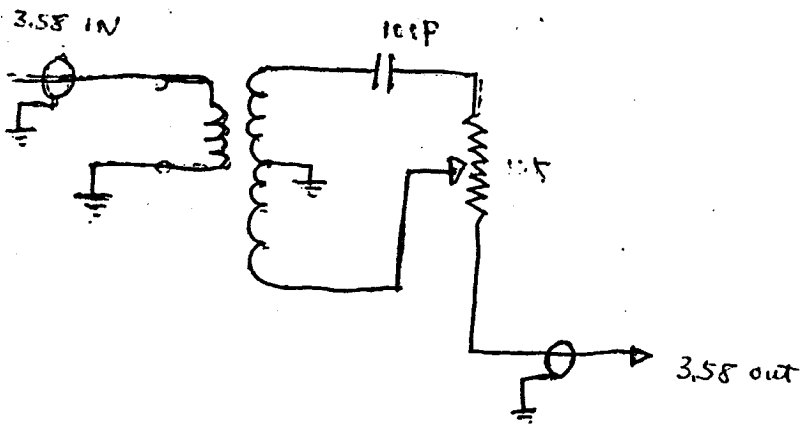
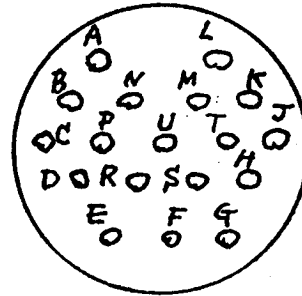
PNP ... 2N9402 or Equivalent
 NPN ... 2N2102 ...

MIXER-FADER OUTPUT
 AMP



SWITCHER INPUT
EMITTER
Follower

A + 12V
 B - 6V
 P GND
 C Rout
 E WAY SEL vid
 H F out
 L T out
 F GND
 K "

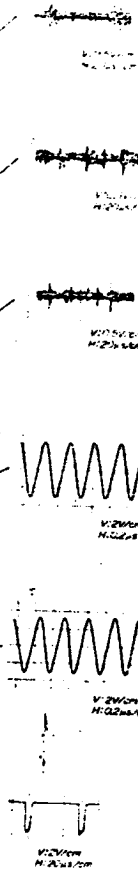
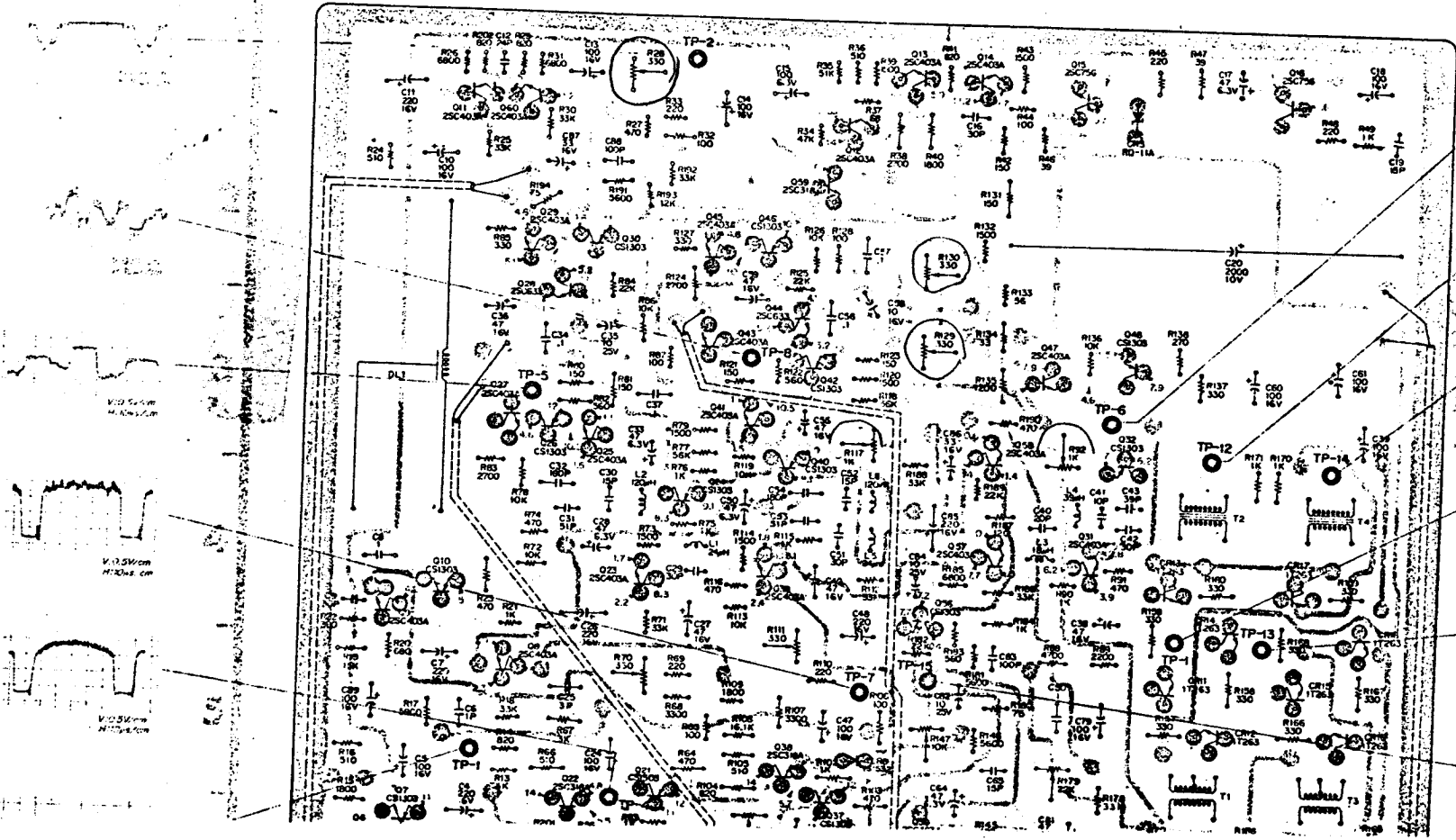


Phase (7L)

CONVERTOR Diagram

ENCODER

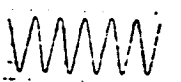
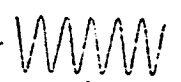
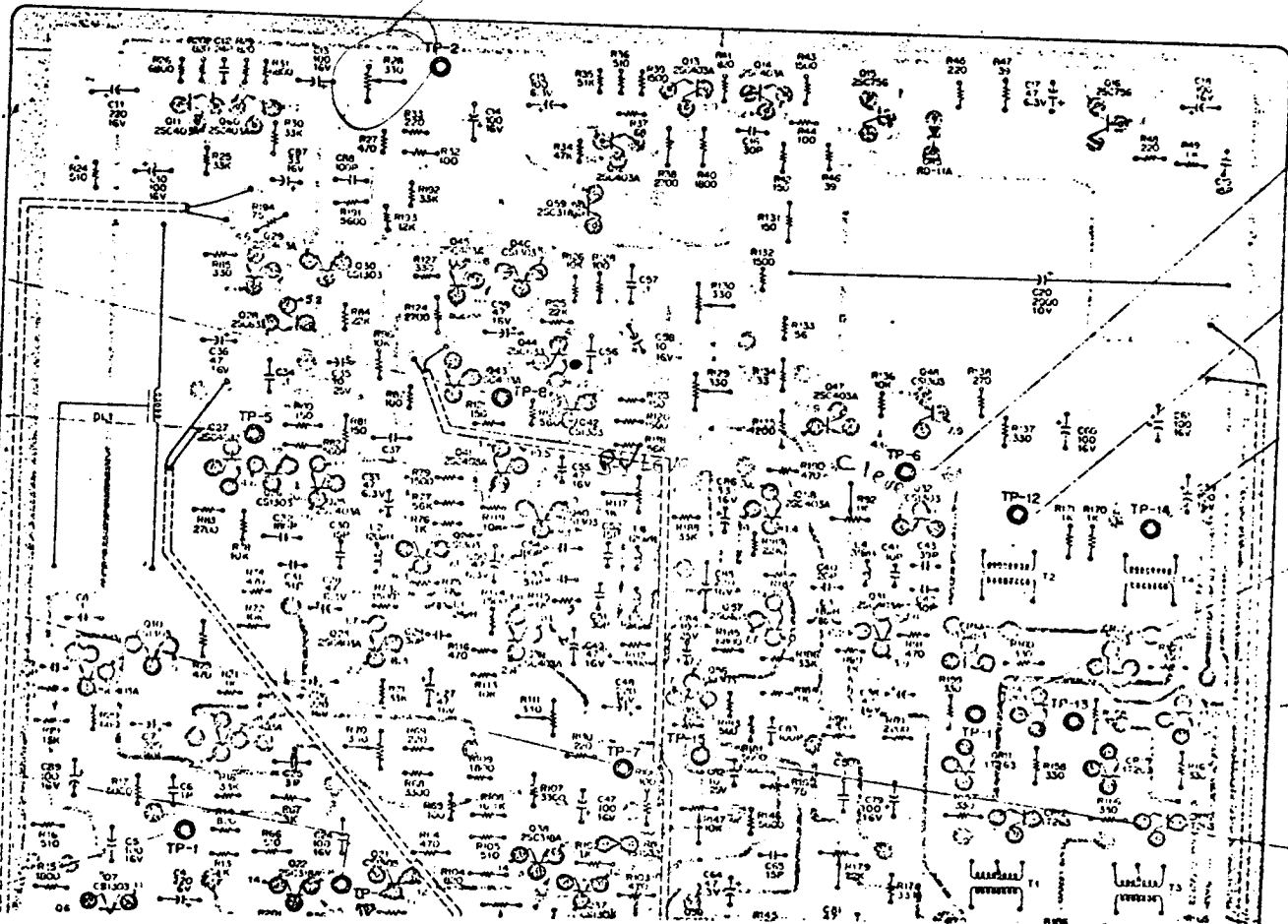
-conductor side-

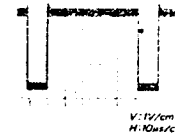
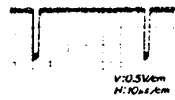
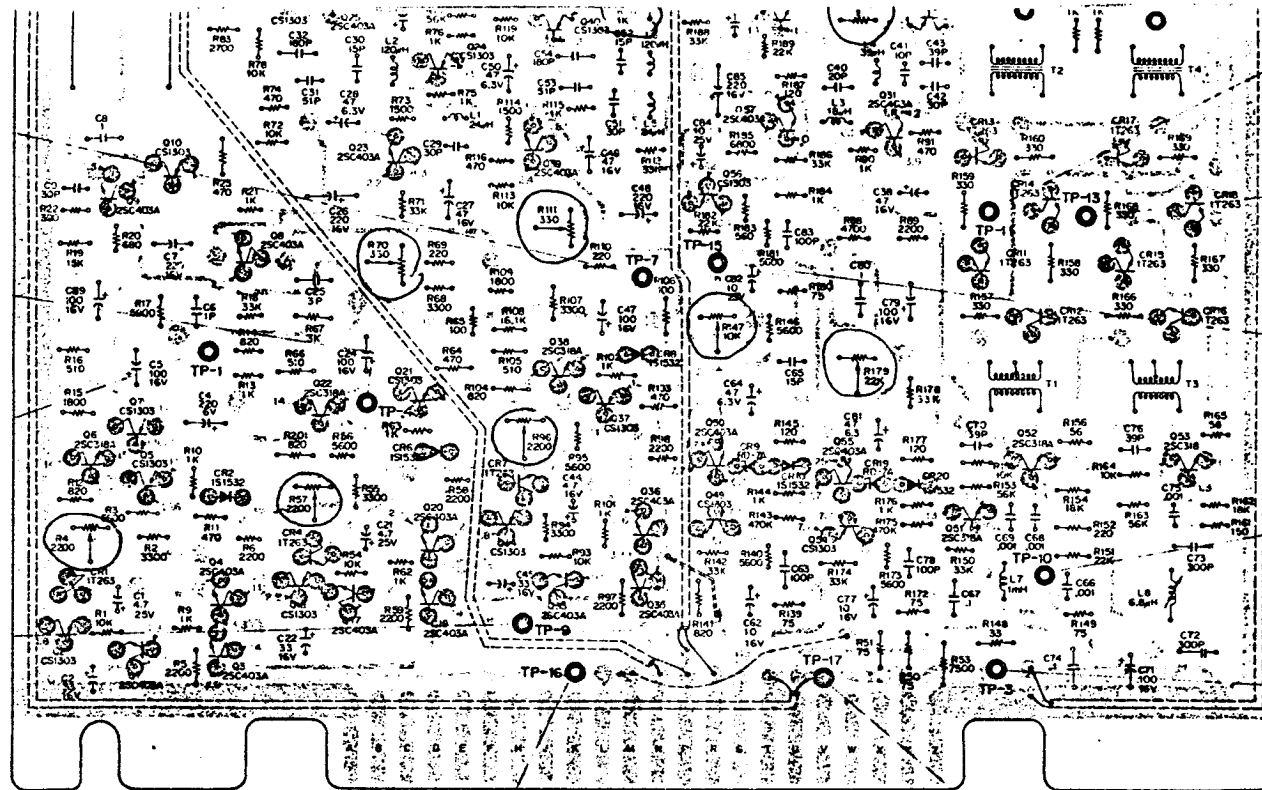


ENCODER

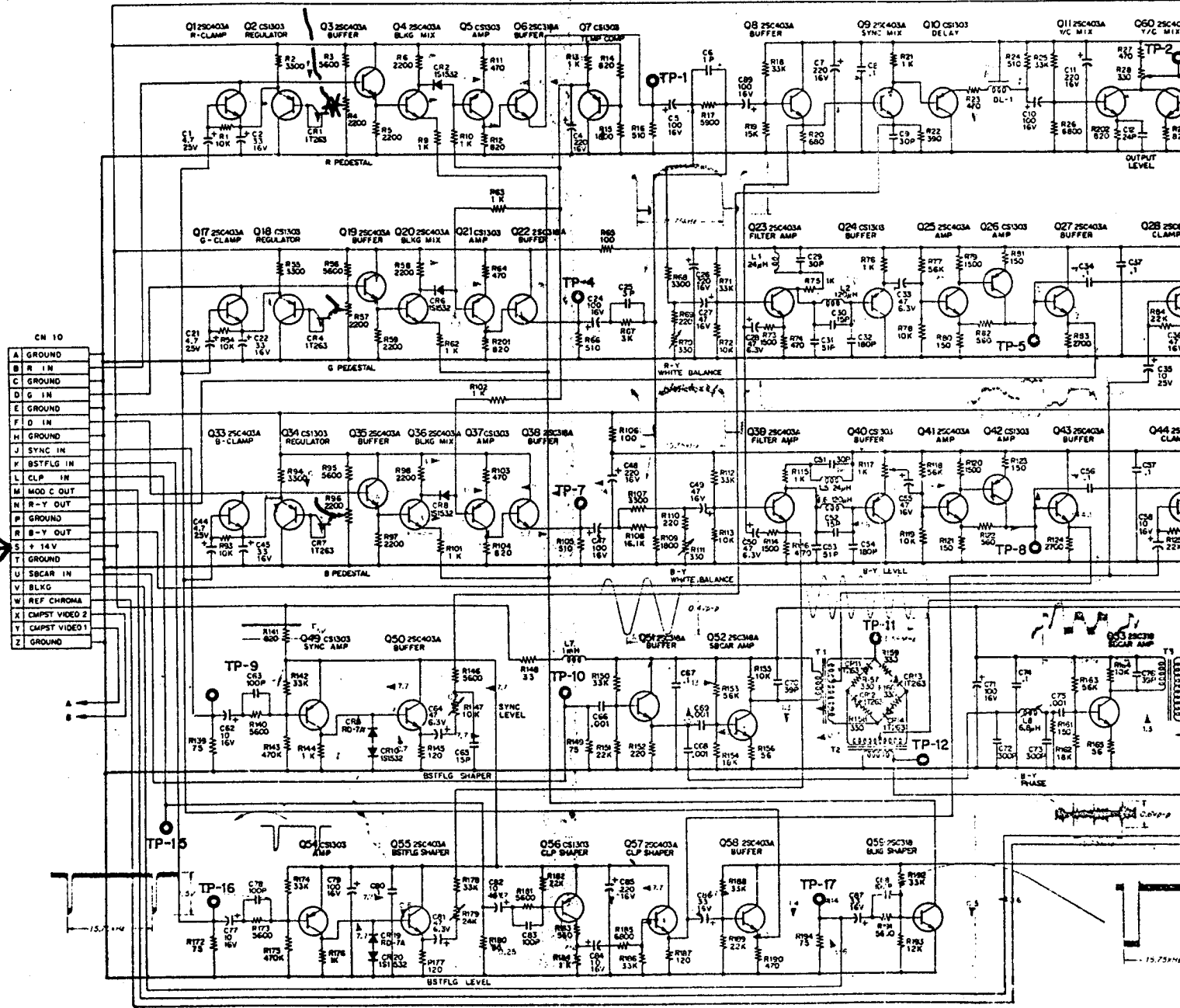
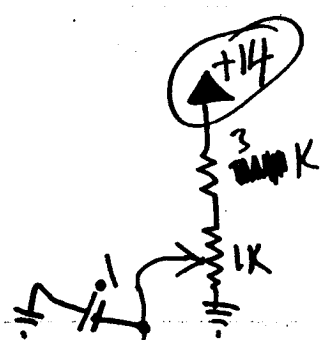
-conductor side-

output control table

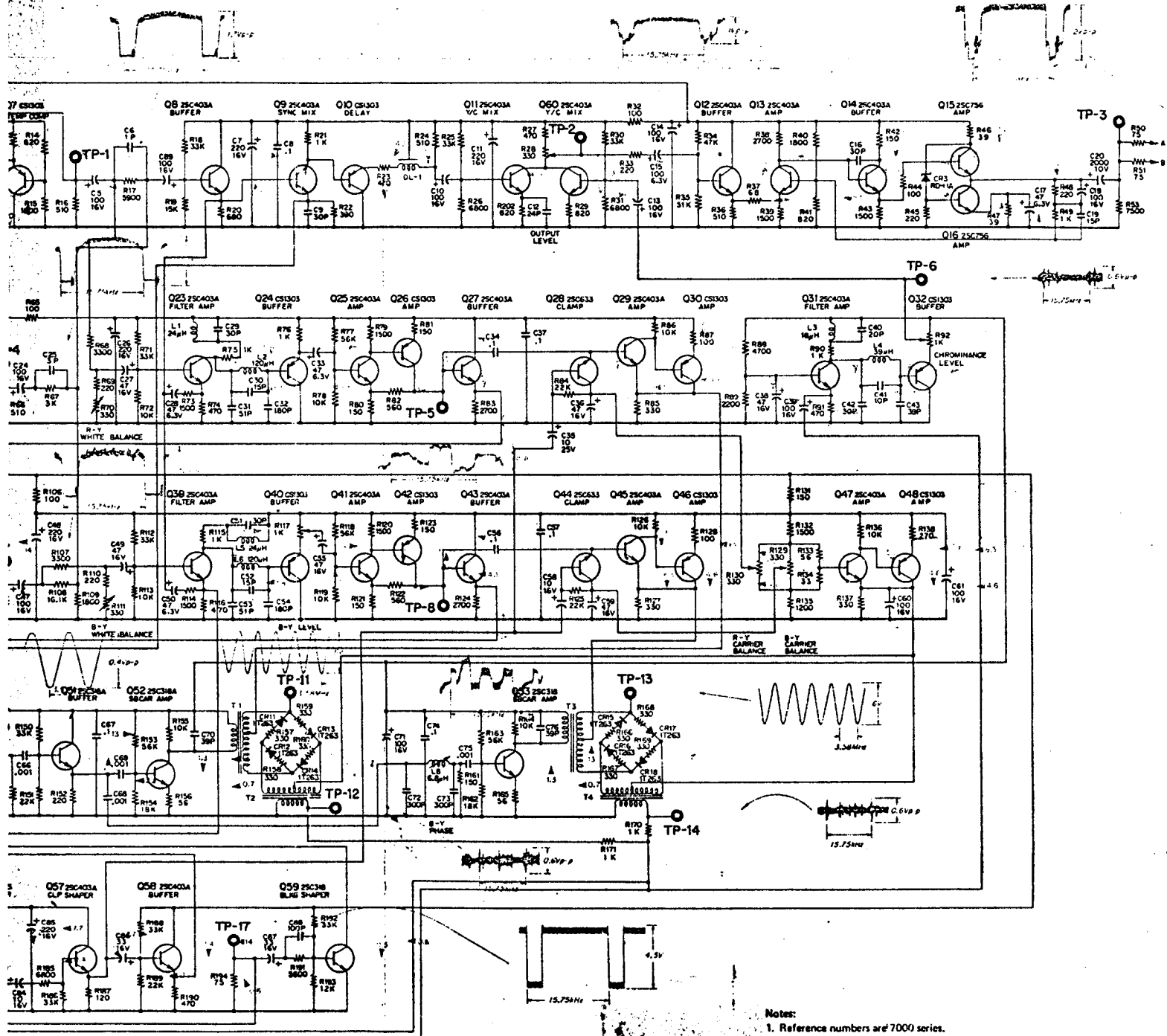




Note:
Printed pattern of
component side
is shown in gray.



6-12. ENCODER



- Notes:
1. Reference numbers are 7000 series.
 2. All resistors in ohms, 5%, 1/4W, unless otherwise noted.
 3. All capacitors in μF unless otherwise noted.
 4. The blue arrow indicates d-c voltage.