

2. ALL NPN TRANSISTORS ARE 2N2369A
 1. ALL RESISTORS ARE 1/2 WATT 5%.
 GEN. NOTES UNLESS OTHERWISE SPECIFIED:

SCHEMATIC DIAGRAM VIDEO QUANTIZER PATCH PANEL OUTPUT			
PREP BY:	<i>pcw</i> 3/18/74	LRL	<i>A Jcw</i> 3/18/74
APP'D BY:		SCALE	

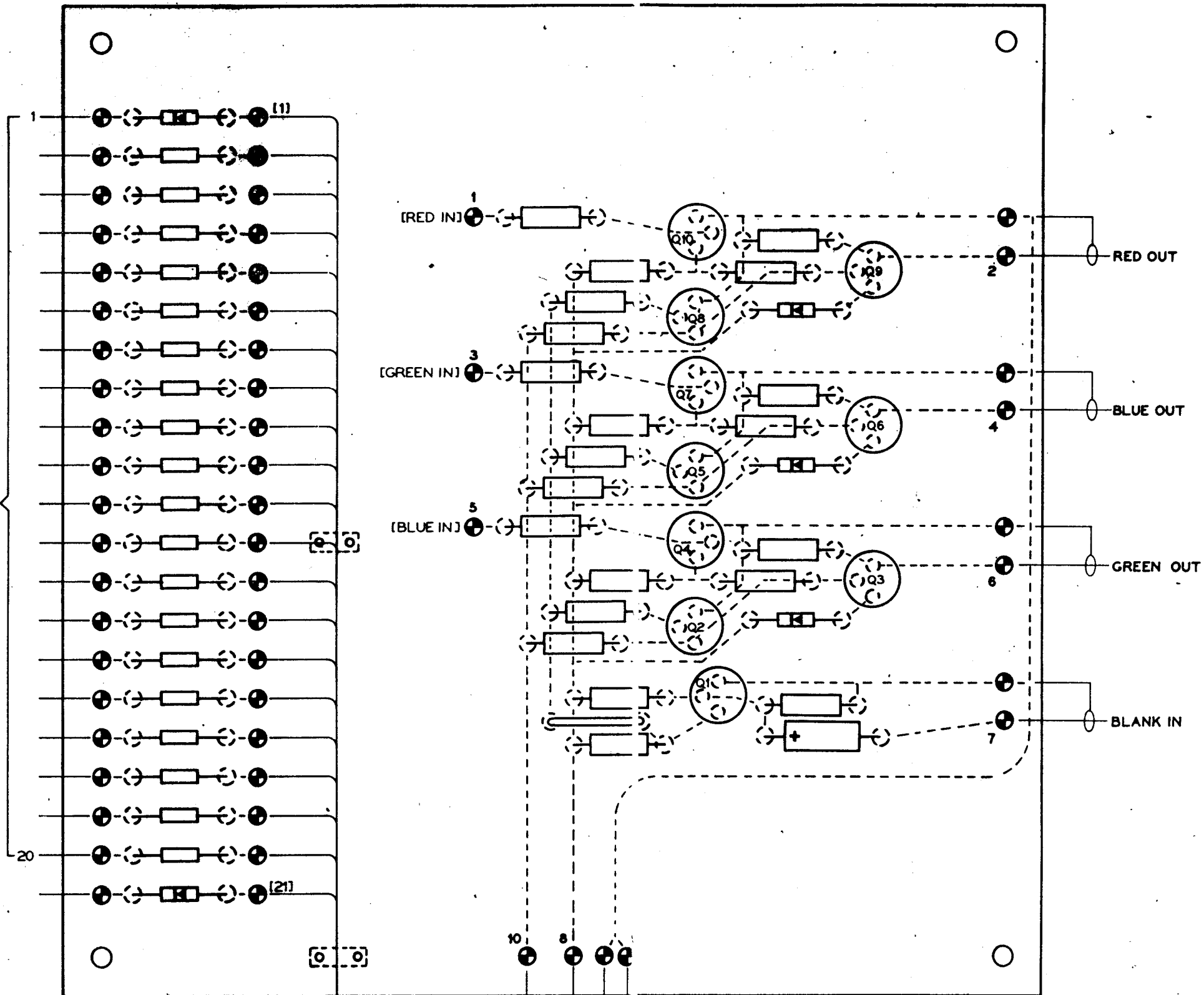
cvi COLORADO VIDEO, INC.

606C-104-000

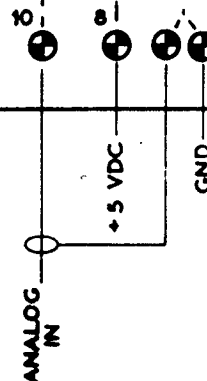
SHEET | OF | SIZE: C

TO COLOR
PATCH PANEL
[ROWS 1-20]

[COL K]



FROM QUANTIZER
LEVEL POTS [1-21]

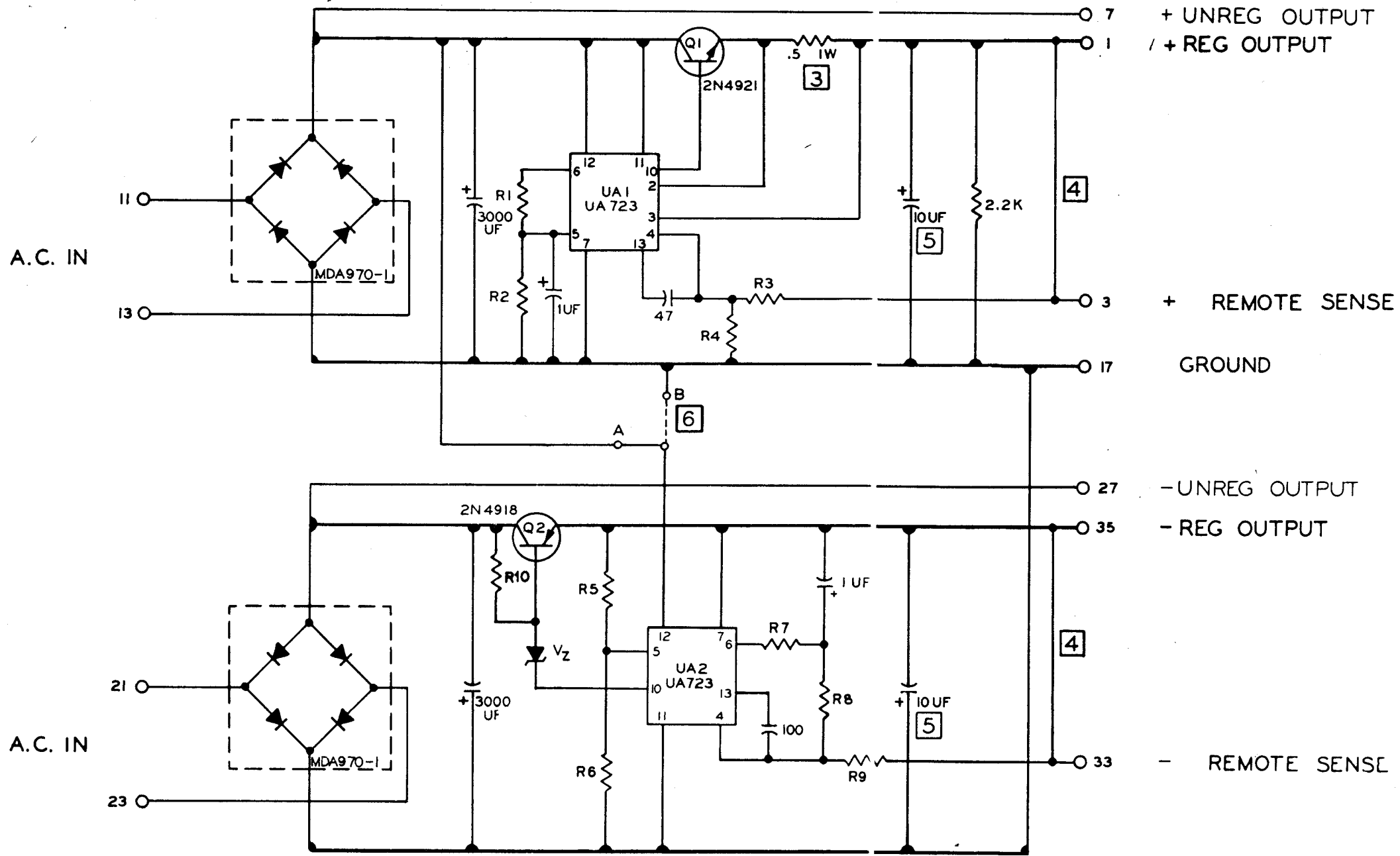


CIRCUIT BOARD ASS'Y
VIDEO QUANTIZER
PATCH PANEL OUTPUT

cvi COLORADO VIDEO, INC.

PREP BY:	AW 3/10/74	LRL	A (AW) 3/10/74
APP'D BY:		SCALE	2:1

606C-004-00



A.C. IN

A.C. IN

O 7 + UNREG OUTPUT
 O 1 + REG OUTPUT
 O 3 + REMOTE SENSE
 O 17 GROUND
 O 27 - UNREG OUTPUT
 O 35 - REG OUTPUT
 O 33 - REMOTE SENSE

6 JUMPERS LOCATED ACCORDING TO LAST COLUMN IN TABLE

5 MOVE CAPACITORS TO SENSE LOCATION FOR REMOTE SENSE.

4. CUT FOR REMOTE SENSE OPERATION.

3. MAY VARY FOR DIFFERENT CURRENT LIMITS.

2. CAPACITANCE VALUES ARE IN UF IF LESS THAN ONE AND IN UUF IF GREATER THAN ONE.

1. ALL RESISTORS ARE 1/2 WATT 5%.

GEN. NOTES UNLESS OTHERWISE SPECIFIED:

20	25	1K	X	27K	1.5K	2K	5.6K	270	3.3K	10K	330	12	B
15	19.4	1K	X	2.2K	2K	3.9K	8.2K	220	4.7K	10K	220	9.1	B
12	15	3.9K	X	6.8K	10K	1.2K	2K	270	5.6K	10K	120	7.5	B
10	15	2K	X	2.7K	6.8K	3.3K	4.7K	220	2.2K	3.3K	180	5.6	B
7	9.9	1.2K	5.6K	1.2K	X	8.2K	8.2K	330	8.2K	8.2K	82	4.7	A
6	9	2K	10K	1.8K	X	5.6K	4.7K	220	2.2K	2K	100	4.3	A
5	9	2K	4.7K	1.5K	X	4.7K	3.3K	220	2.7K	2K	100	3.6	A
3.6	9	4.7K	4.7K	2.2K	X	2K	1K	270	2.7K	1.5K	120	3.3	A
V _{out}	ACV	R1	R2	R3	R4	R5	R6	R7	R8	R9	R10	V _z	6

SCHEMATIC DIAGRAM
POWER SUPPLY
±DC

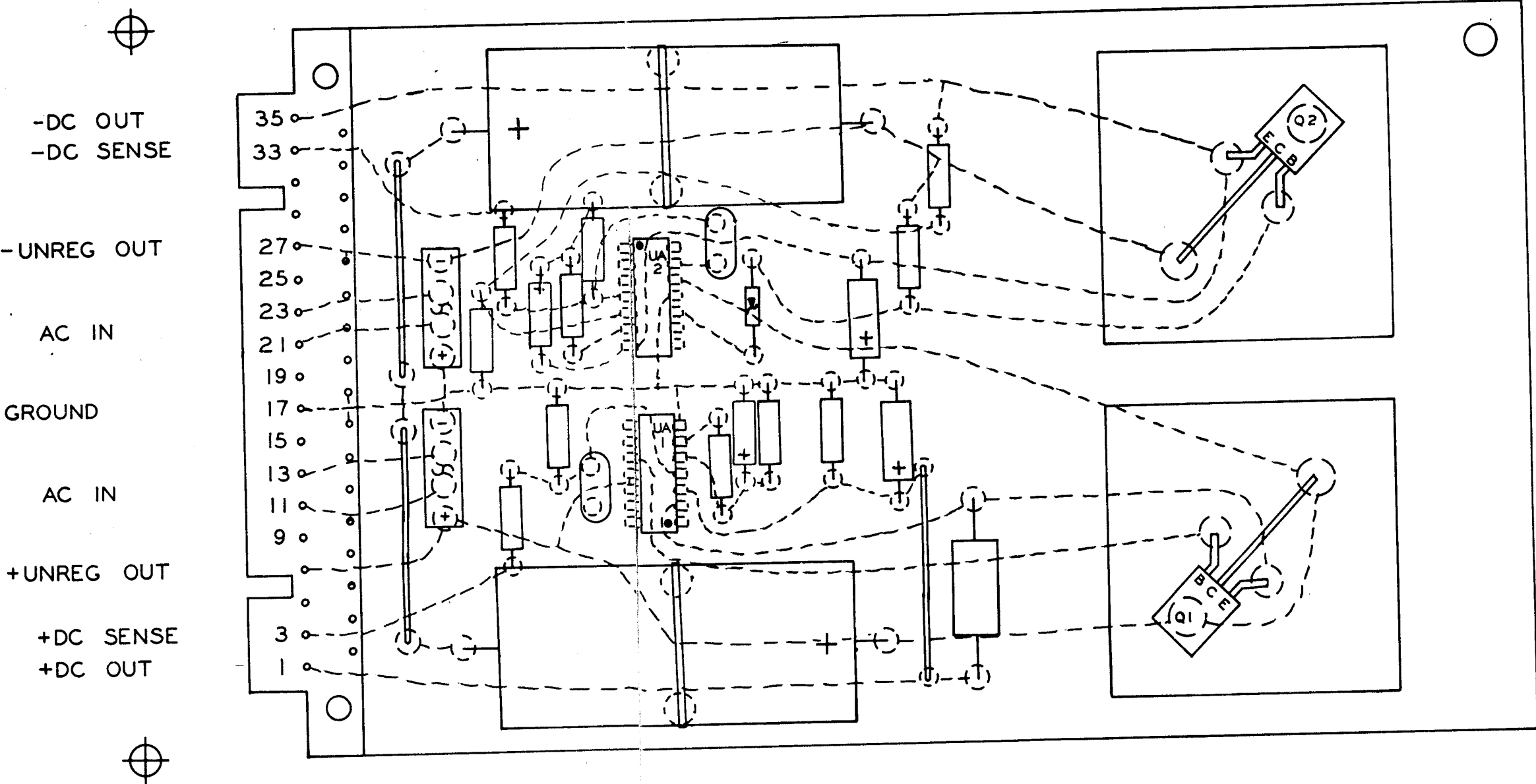
cvi COLORADO VIDEO INC.

PREP BY: *ARL* LRL C 6/11/73
2-10-71

XXX-123-001

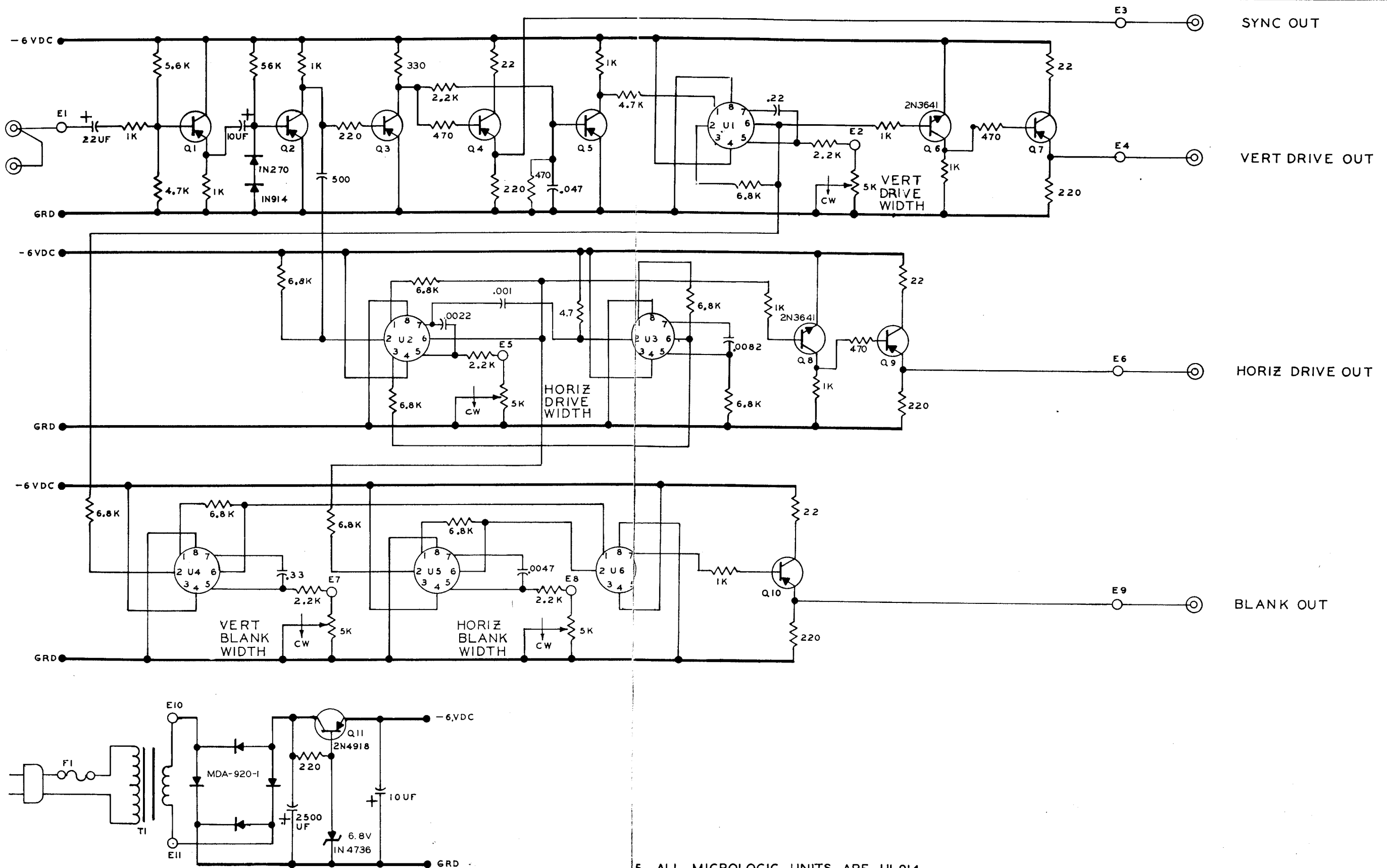
APP'D BY: SCALE NONE

SHEET OF SIZE C



CIRCUIT BOARD ASS'Y POWER SUPPLY ±DC				cvi COLORADO VIDEO, INC.	
PREP BY:	11-8-71 APC	LRL	2 TCD 5/21/71	XXX-023-001	
APP'D BY:		SCALE	2:1		
SHEET				OF	SIZE: C

VIDEO IN



SYNC OUT

VERT DRIVE OUT

HORIZ DRIVE OUT

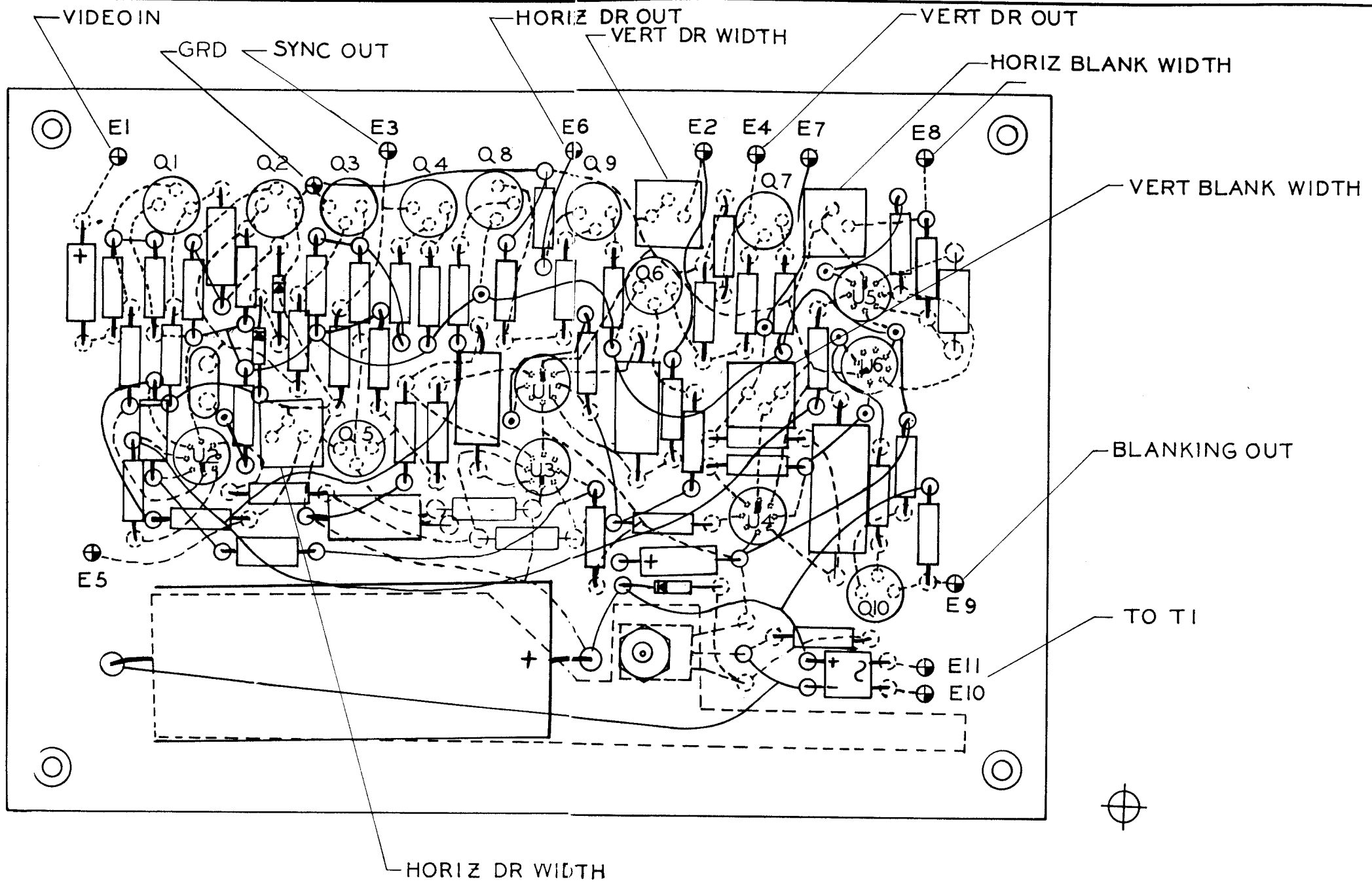
BLANK OUT

7 VAC

5. ALL MICROLOGIC UNITS ARE UL914.
 4. CAPACITANCE VALUES ARE IN UF IF LESS THAN ONE AND IN UUF IF GREATER THAN ONE.
 3. ALL PNP TRANSISTORS ARE 2N3638.
 2. ALL NPN TRANSISTORS ARE 2N3641.
 1. ALL RESISTORS ARE 1/2 WATT 5%.
- GEN. NOTES UNLESS OTHERWISE SPECIFIED:

SCHEMATIC DIAGRAM, SYNC STRIPPER				cvi COLORADO VIDEO, INC.	
PREP BY:		LRL	A	5-10-73	XXX-127-000
APP'D BY:	M 4-6-73	SCALE	NONE		
				SHEET	OF
				SIZE	D

XXX-127-000



CIRCUIT BOARD ASSY,
SYNC STRIPPER

cvi COLORADO VIDEO, INC.

PREP
BY:

LRL

APP'D
BY:

SCALE 2:1

XXX-027-000

SHEET 1 OF 1 SIZE: C